



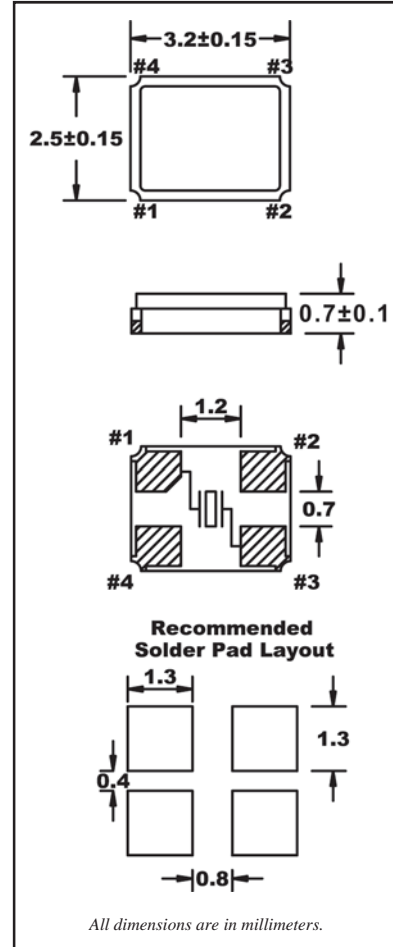
3.2mm x 2.5mm Ceramic SMD Crystal C3BS

(former FX325BS)

DATASHEET

- Tolerances down to 10 PPM
- Stabilities down to 5 PPM
- Operating Temperature Ranges up to 40°C ~ +85°C

• C3BS STANDARD SPECIFICATIONS ¹	
PARAMETERS	MAX (unless otherwise noted)
Frequency Range	10.000 ~ 114.285 MHz
Frequency Tolerance @ 25°C	(See options on page 2)
Frequency Stability, ref @ 25°C	(See options below)
Temperature Range	
Operating (TOPR)	(See options below)
Storage (TSTG)	-55°C ~ +125°C
Shunt Capacitance (Co)	3.0 pF
Load Capacitance (CL)	(See options on page 2)
Drive Level	0.1 mW
Aging per year	±5 PPM
Maximum Soldering Temp / Time	260°C / 10 Seconds
Moisture Sensitivity Level (MSL)	1
Termination Finish	Au
Seal Method	Seam Seal
Lead (Pb) Free	Yes
RoHS Compliant	Yes



Frequency Range (MHz)	Operating Mode	Max ESR Ω
10.000 ~ 11.999999	Fundamental	250
12.000 ~ 15.999999	Fundamental	120
16.000 ~ 19.999999	Fundamental	70
20.000 ~ 29.999999	Fundamental	50
30.000 ~ 39.999999	Fundamental	40
40.000 ~ 200.000	Fundamental	35
50.000001 ~ 70.000	3rd OT	120
70.000001 ~ 114.285	3rd OT	80

Note: Dimensional drawing is for reference to critical specifications defined by size measurements. Certain non-critical visual attributes, such as side castellations, etc. may vary.

• Available Operating Temperatures and Stabilities*

Operating Temperature	±5 PPM	±10 PPM	±15 PPM	±20 PPM	±25 PPM	±30 PPM	±50 PPM
-10 ~ +60°C	O	O	O	O	O	O	O
-20 ~ +70°C	X	O	O	O	O	O	O
-40 ~ +85°C**	X	X	O	O	O	O	O

Key: O=Available, X=Not Available

*Does not imply a stocked part.



© Copyright 2017 Fox Electronics, All rights reserved

Title / Description: C3BS SERIES STANDARD SPECIFICATIONS	
Drawing Number: 101138	Size: A
Part Number:	Cage: 61429
Draftsperson: CMR	Approved: RB
Revision Date: 2/28/2017	



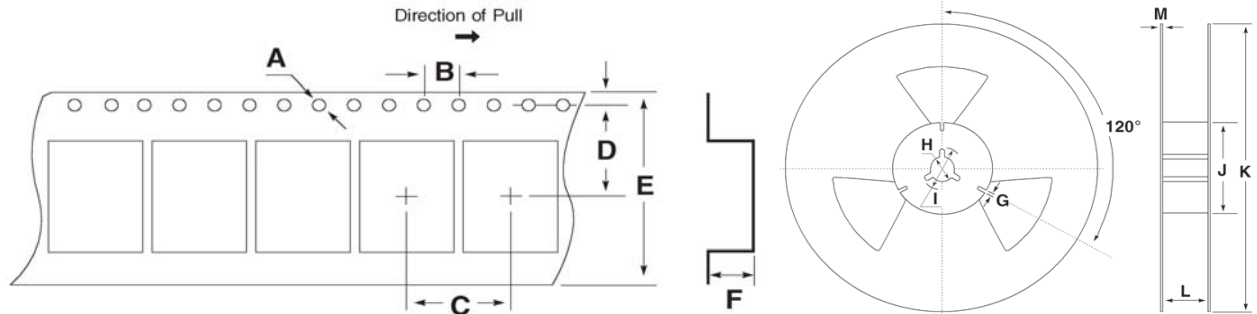
3.2mm x 2.5mm Ceramic SMD Crystal C3BS

(former FX325BS)

DATASHEET

• TAPE SPECIFICATIONS (millimeters)							
MODEL	A	B	C	D	E	F	STD Reel QTY
C3BS	Ø1.5	4.0	4.0	3.5	8.0	1.3	3,000

• REEL SPECIFICATIONS (millimeters)							
MODEL	G	H	I	J	K	L	M
C3BS	2.0	Ø13	Ø21	Ø80	Ø180	9.0	2.0



Available Options & Part Identification for Ceramic SMD Crystal C3BS*

F C3BS B B G M 25.0

F	C3BS	B	B	G	M	25.0
<u>FOX</u>	<u>Model Number</u>	<u>Tolerance</u> B=50ppm C=30ppm D=25ppm E=20ppm F=15ppm H=10ppm	<u>Stability</u> A=100ppm B=50ppm C=30ppm D=25ppm E=20ppm F=15ppm H=10ppm L=5ppm	<u>Load Capacitance</u> A=Series V=7pF D=8pF E=10pF G=12pF J=15pF K=16pF L=18pF M=20pF N=22pF Q=30pF	<u>Operating Temperature</u> D=-10 to +60C F=-20 to +70C M=-40 to +85C	<u>Frequency (MHz)</u>

*Not all frequency, tolerance, stability, load, and operating temperature combinations may be available.



Corporate
Headquarters
5570 Enterprise Parkway
Fort Myers, FL 33905
<http://www.FOXONLINE.com>

Sales
1-888-GET-2-FOX (1-888-438-2369) or
1-239-693-0099
<http://www.FOXONLINE.com/repdisty>

Tech Support
<http://www.FOXONLINE.com/email>

PRODUCT USE: Fox Electronics reserves the right to modify the products and/or specifications described herein at any time and at Fox Electronics' sole discretion. All information in this document, including descriptions of product features and performance, is subject to change without notice. Performance specifications and the operating parameters of the described products are determined in the independent state and are not guaranteed to perform the same way when installed in customer products. The information contained herein is provided without representation or warranty of any kind, whether express or implied, including, but not limited to, the suitability of Fox Electronics' products for any particular purpose, an implied warranty of merchantability, or non-infringement of the intellectual property rights of others. This document is presented only as a guide and does not convey any license under intellectual property rights of Fox Electronics or any third parties.

Fox Electronics' products are not intended for use in applications involving extreme environmental conditions or in life support systems or similar devices where the failure or malfunction of a Fox Electronics product can be reasonably expected to significantly affect the health or safety of users. Anyone using a Fox Electronics product in such a manner does so at their own risk, absent an express, written agreement by Fox Electronics.

Fox Electronics and the Fox logo are registered trademarks of Fox Electronics. Product specification is subject to change without notice. Other trademarks and service marks used herein, including protected names, logos and designs, are the property of Fox Electronics or their respective third party owners. For datasheet tvoe definitions and a glossary of common terms, visit <http://www.foxonline.com/tacrystals.html>.



© Copyright 2017 Fox Electronics. All rights reserved

Title / Description: C3BS SERIES STANDARD SPECIFICATIONS	
Drawing Number: 101138	Size: A
Part Number:	Cage: 61429
Draftsperson: CMR	Approved: RB
Revision Date: 2/28/2017	