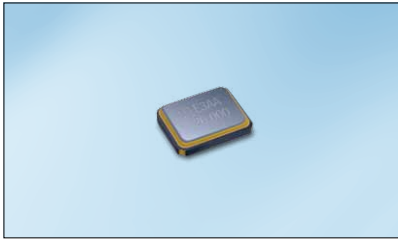


SMCE-2520

CERAMIC ENCLOSURE QUARTZ CRYSTAL RESONATORS (SMD) 表貼縫焊式陶瓷封裝石英晶體諧振器

High frequency (MHz) crystal resonators



FEATURES

- Surface mount ceramic enclosures
- High reliability seam welded package
- AEC-Q200 Qualified
- Wide frequency range

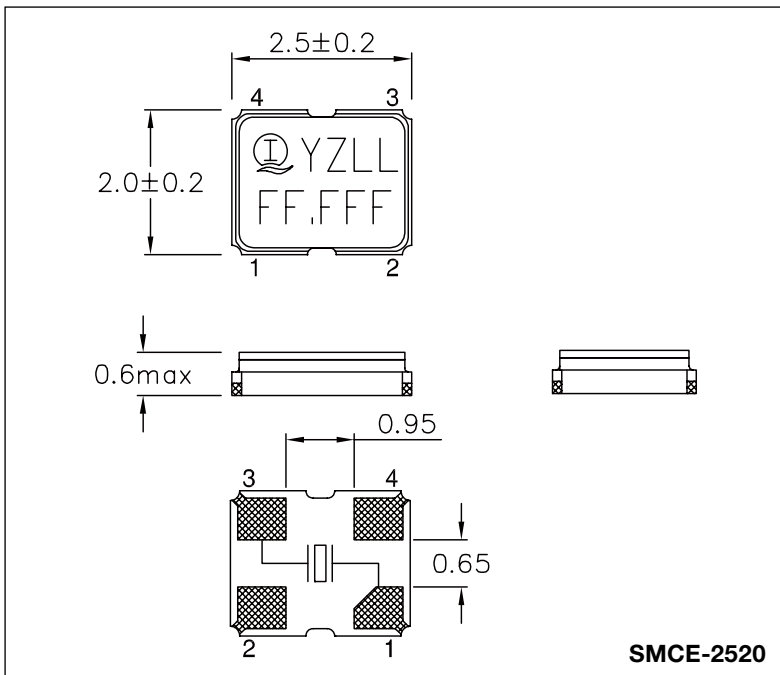


| Parameters | | Specifications |
|--|--------------|---------------------------------|
| Nominal Frequency Range 標稱頻率範圍 | f_0 | 16.0MHz ~ 50.0MHz (Fundamental) |
| Frequency Tolerance, Ta=25°C ± 3°C 常溫頻率偏差 | $\Delta f/f$ | ±10ppm, ±30ppm |
| Load Capacitance 負載電容 | C_L | 10pF or customer specify |
| Frequency Tolerance over Operating Temperature Range with refer to 25°C 相對於常溫的頻率溫度特性 | $\Delta f/f$ | ±10ppm, ±30ppm |
| Operating Temperature Range 工作溫度範圍 | T_{OPR} | -20°C ~ +70°C, -40°C ~ +85°C |
| Storage Temperature Range 儲存溫度範圍 | T_{STG} | -55°C ~ +125°C |
| Drive Level 激勵功率 | DL | 0.1mW (0.5mW Max.) |
| Shunt Capacitance 靜態電容 | C_0 | 7pF Max. |
| Insulation Resistance 絕緣電阻 | IR | 500MΩ Min. |
| Aging 老化率 | Δf_A | ±3ppm/Year Max. |

| SERIES RESISTANCE (ESR) 串聯諧振阻抗 | | | |
|--------------------------------|--------------------|--------------------|--------------------|
| Frequency Range | $16 < f_0 \leq 26$ | $26 < f_0 \leq 35$ | $35 < f_0 \leq 50$ |
| ESR | 150Ω Max. | 100Ω Max. | 60Ω Max. |

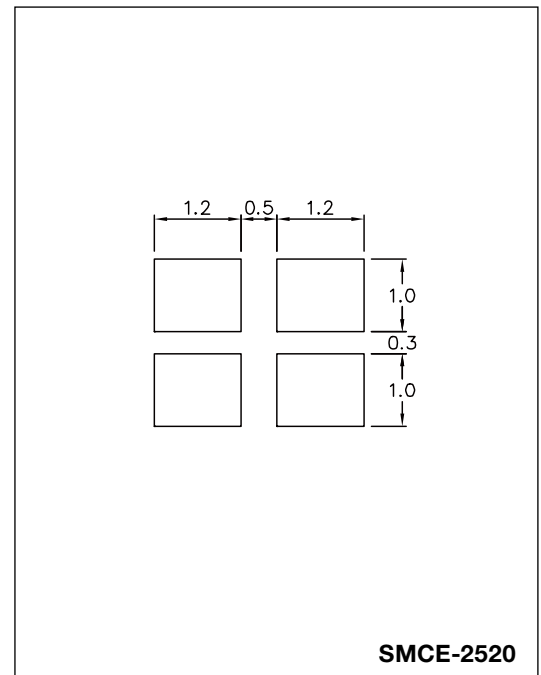
Please consult our sales representatives for other specifications.
如對其他規格查詢，請與我司銷售人員聯繫

DIMENSION (mm)



SMCE-2520

SOLDERING PATTERN (mm)



SMCE-2520

All specifications are subject to change without prior notice.
本公司保留修改規格的權利。

I INTERQUIP ELECTRONICS CO LTD
應達利電子有限公司

Flat A, 9th Floor, On Shing Industrial Building, 2-16 Wo Liu Hang Road, Fotan, N.T., Hong Kong
Tel: +852 2413 5515 Fax: +852 2413 7053 <http://www.interquip.com>

