



### FEATURES

- Surface mount ceramic enclosures
- High reliability seam welded package
- AEC-Q200 Qualified
- Wide frequency range



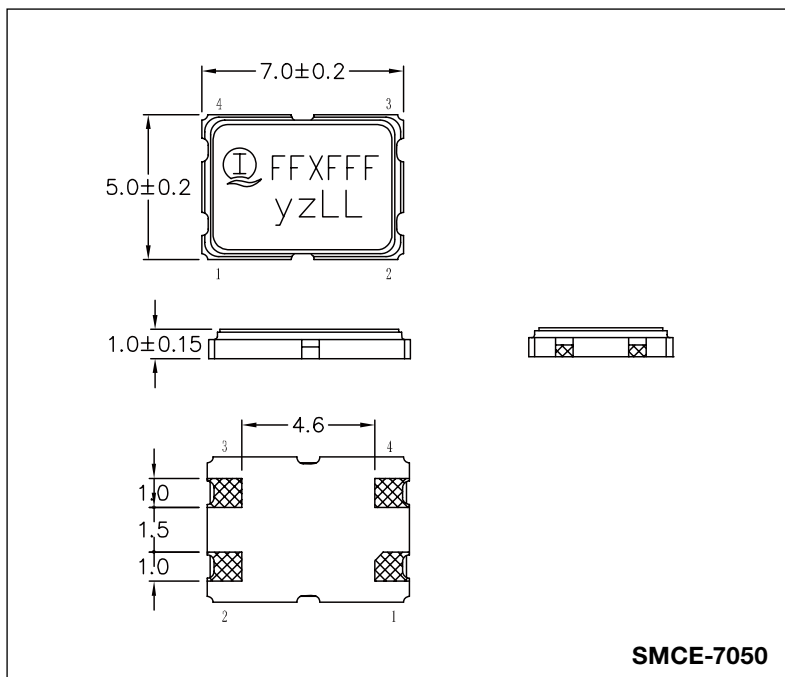
Parameters		Specifications
Nominal Frequency Range 標稱頻率範圍	$f_0$	6.0MHz ~ 30.0MHz (Fundamental) 30.0MHz ~ 125.0MHz (3.O.T)
Frequency Tolerance, $T_a=25^\circ\text{C} \pm 3^\circ\text{C}$ 常溫頻率偏差	$\Delta f/f$	$\pm 10\text{ppm}$ , $\pm 30\text{ppm}$
Load Capacitance 負載電容	$C_L$	18pF or customer specify
Frequency Tolerance over Operating Temperature Range with refer to $25^\circ\text{C}$ 相對於常溫的頻率溫度特性	$\Delta f/f$	$\pm 10\text{ppm}$ , $\pm 30\text{ppm}$
Operating Temperature Range 工作溫度範圍	$T_{\text{OPR}}$	$-20^\circ\text{C} \sim +70^\circ\text{C}$ , $-40^\circ\text{C} \sim +85^\circ\text{C}$
Storage Temperature Range 儲存溫度範圍	$T_{\text{STG}}$	$-55^\circ\text{C} \sim +125^\circ\text{C}$
Drive Level 激勵功率	DL	0.1mW (0.5mW Max.)
Shunt Capacitance 靜態電容	$C_0$	7pF Max.
Insulation Resistance 絕緣電阻	IR	500M $\Omega$ Min.
Aging 老化率	$\Delta f_A$	$\pm 3\text{ppm}/\text{Year}$ Max.

### SERIES RESISTANCE (ESR) 串聯諧振阻抗

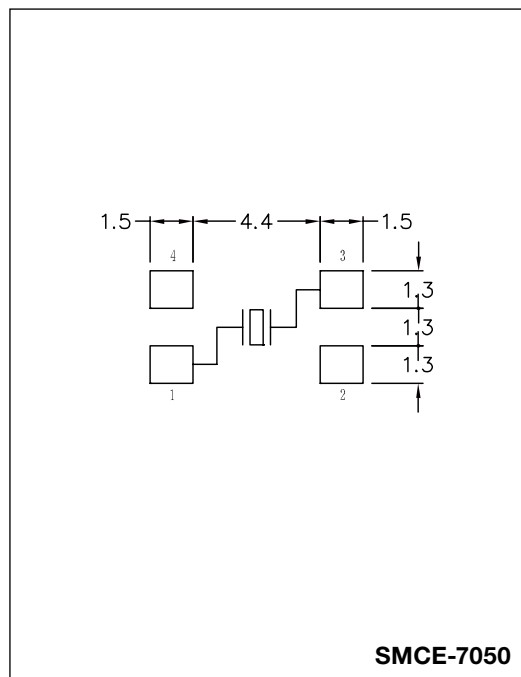
Frequency Range	$6 < f_0 \leq 8$	$8 < f_0 \leq 16$	$16 < f_0 \leq 30$	$30 < f_0 \leq 40$ (3.O.T)	$40 < f_0 \leq 125$ (3.O.T)
ESR	100 $\Omega$ Max.	80 $\Omega$ Max.	50 $\Omega$ Max.	100 $\Omega$ Max.	80 $\Omega$ Max.

Please consult our sales representatives for other specifications.  
如對其他規格查詢，請與我司銷售人員聯繫

### DIMENSION (mm)



### SOLDERING PATTERN (mm)



All specifications are subject to change without prior notice.  
本公司保留修改規格的權利。

