

### QUARTZ CRYSTAL UNIT IN CERAMIC SEAM SEAL SMD PACKAGE, SIZE 2.5 X 2.0MM.

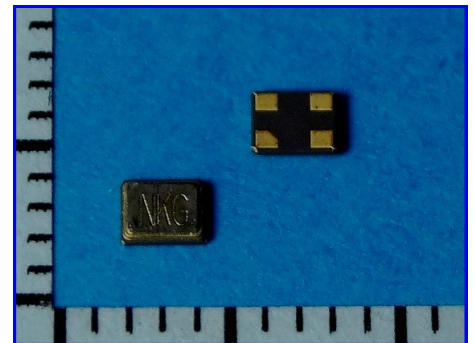
## S2M

#### PRODUCT FEATURES

- MINIATURE PACKAGE SIZE 2.5 X 2.0 X 0.5MM WITH 4 PADS.
- EXCELLENT HEAT AND SHOCK RESISTANCE.
- HIGHLY RELIABLE AND LOW AGING DUE TO VACUUM SEAL.
- AUTOMOTIVE GRADE COMPLIANT TO AEC-Q200 IS AVAILABLE.

#### APPLICATIONS

- WIRELESS, BLUETOOTH
- MOBIL COMMUNICATION
- PORTABLE DEVICES
- USB MEMORY DEVICES.

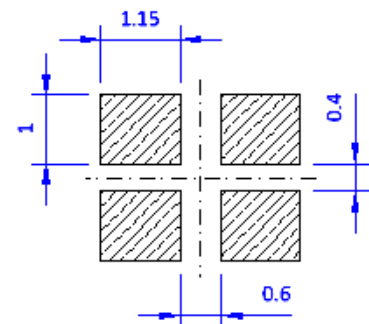
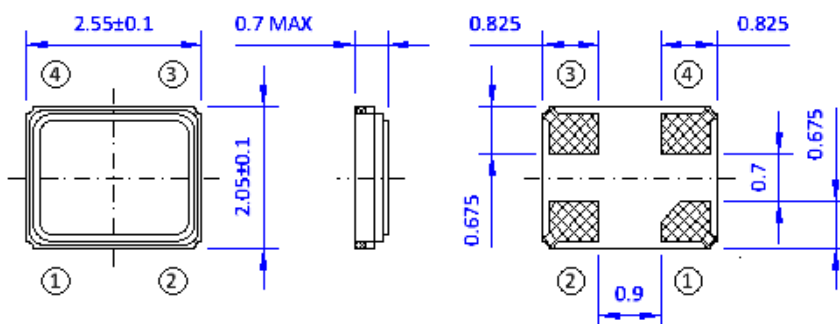


#### PRODUCT SPECIFICATIONS

PARAMETER	SYMBOL	SPECIFICATIONS	REMARKS
FREQUENCY RANGE	$F_N$	<b>12.0 ~ 60.0MHZ</b>	—
OPERATION MODE	—	FUNDAMENTAL	—
FREQUENCY TOLERANCE	$\Delta f/f$	$\pm 10\text{PPM}, \pm 20\text{PPM}, \pm 30\text{PPM}, \pm 50\text{PPM}$	OTHER OPTIONS AVAILABLE
STABILITY OVER OPERATING TEMP.	$T_C$	$\pm 10\text{PPM}, \pm 20\text{PPM}, \pm 30\text{PPM}, \pm 50\text{PPM}$	DEPENDING ON OPERATING TEMPERATURE RANGE
OPERATING TEMPERATURE RANGE	$T_{OP}$	$-20^\circ\text{C} \sim +70^\circ\text{C}$ OR $-40^\circ\text{C} \sim +85^\circ\text{C}$	OTHER OPTIONS AVAILABLE
LOAD CAPACITANCE	CL	8 TO 32PF OR SERIES	PLEASE SPECIFY LOAD CAPACITANCE
EQUIVALENT SERIES RESISTANCE	ESR	125Ω MAX	FUND MODE 12 ~ 16MHZ
		80Ω MAX	FUND MODE 16 ~ 20MHZ
		70Ω MAX	FUND MODE 20 ~ 25MHZ
		60Ω MAX	FUND MODE 25 ~ 30MHZ
		50Ω MAX	FUND MODE 30 ~ 40MHZ
		40Ω MAX	FUND MODE 40 ~ 60MHZ
DRIVE LEVEL	DL	10μW TYP, 100μW MAX	—
AGING FIRST YEAR	$\Delta f/y_1$	$\pm 3\text{PPM}$	@+25°C

#### MECHANICAL DIMENSIONS

#### RECOMMENDED LAND PATTERN



PAD	FUNCTION
1	CRYSTAL
2	N.C. or GND
3	CRYSTAL
4	N.C. or GND

Ceramic seam seal crystal package  
2.5x2.0mm with 4 pads  
**CX-2M** CX-2Mp4h07  
C 2015-03

No scale Unit: mm

QUARTZ CRYSTAL UNIT IN CERAMIC SEAM SEAL SMD PACKAGE, SIZE 2.5 X 2.0MM.

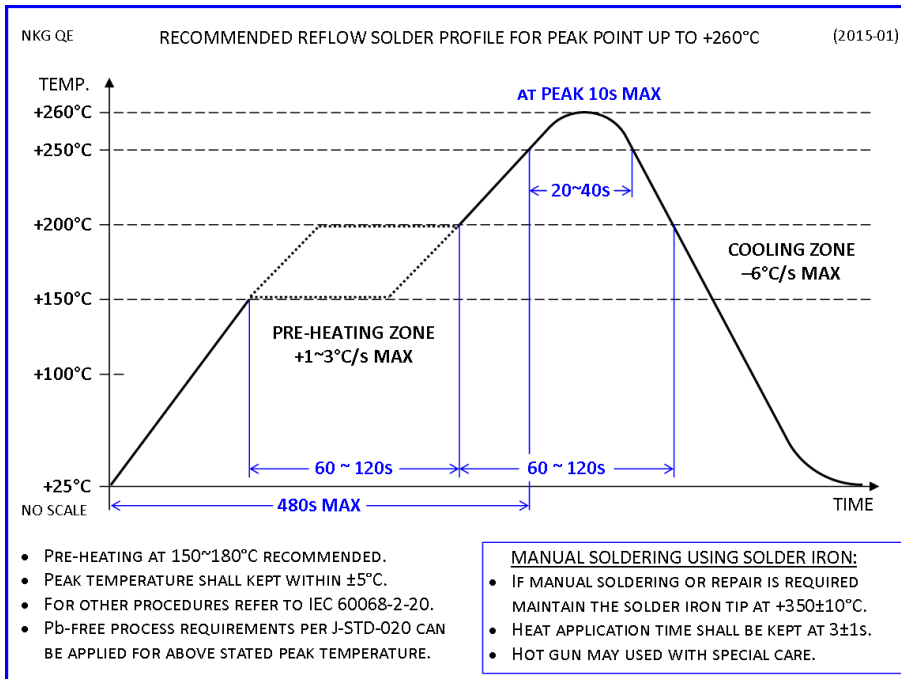
S2M

ENVIRONMENTAL COMPLIANCE INFORMATION

- ROHS 6/6 COMPLIANT (DIRECTIVE 2011/65/EC) AND LEAD-FREE.
- COMPLIANT TO ROHS 2 (DIRECTIVE 2015/863) (ALSO CALLED ROHS 10).
- HALOGEN-FREE PER DEFINITION OF IEC 61249-2-21 2033.
- NONE-USE OF SVHCS PER REACH IS CURRENTLY GIVEN, CONTINUOUSLY MONITORED AND UPDATED AS THE COMMISSION ISSUES NEW RELEASES.
- PRODUCT DOES NOT CONTAIN ANY PHTHALATES (PHS).
- PRODUCT DOES NOT CONTAIN PVC (POLYVINYL CHLORIDE).
- PRODUCT DOES NOT CONTAIN PFOS/PFOA NOR BEING SAME USED TO MANUFACTURE THE COMPONENTS OF THIS PRODUCT.
- MOISTURE SENSITIVITY LEVEL (MSL) 1 PER J-STD-020C.

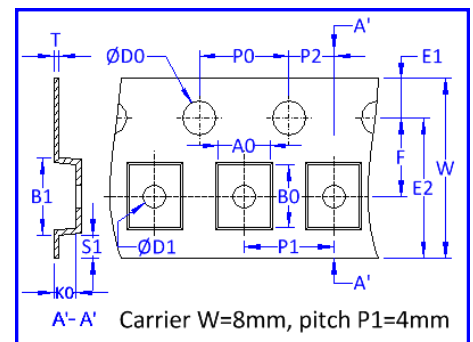


SOLDERING RECOMMENDATIONS



PACKAGING INFORMATION

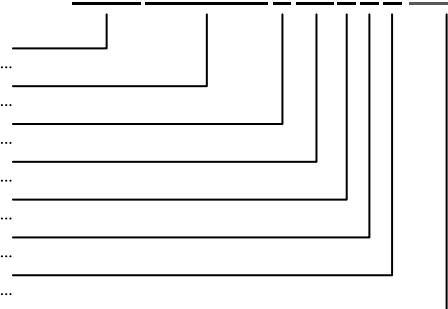
- PACKAGING IN TAPE & REEL IN COMPLIANCE TO EIA-481.
- QTY PER REEL: 3,000PCS
- REEL DIA A=180MM.
- EMBOSSED CARRIER TAPE WIDTH W = 8MM.
- COMPONENT PITCH P1 = 4MM.



PART NUMBER SYNTAX

- PART NUMBER FAMILY (REPRESENTS PRODUCT MODEL AND PACKAGE SIZE / TYPE)
- NOMINAL FREQUENCY (IN MHZ WITH AT LEAST FOUR DIGITS AFTER DECIMAL POINT)
- OPERATION MODE CODE (F = FUNDAMENTAL / T = 3RD OVERTONE)
- LOAD CAPACITANCE (ACTUAL VALUE OR "00" FOR SERIES)
- OPERATING TEMPERATURE RANGE CODE (I.E. C= -10~60°C, E= -20~70°C, M= -40~85°C)
- FREQUENCY TOLERANCE DESIGNATOR (I.E. 1=10PPM, 2=20PPM, Y=15PPM, Z=25PPM)
- FREQUENCY STABILITY DESIGNATOR (I.E. 3=30PPM, 5=50PPM, Y=15PPM, Z=25PPM)
- PART NUMBER EXTENSION (ONLY FOR NONE-STANDARD OR CUSTOMIZED PART)

S2M 25.0000 F 18 E 23 -EXT



FOR MORE INFORMATION PLEASE CONTACT US.

HONG KONG:  
NAKAGAWA ELECTRONICS LIMITED  
+852 2389 9201 sales@nkg.com.hk  
+852 2341 0001 www.nkg.com.hk

China Shenzhen office:  
深圳中川晶体电子有限公司  
+86(0)755 2598 2648 sales\_sz@nkg.cn  
+86(0)755 2598 2390 www.nkg.com.hk

China Suzhou office:  
苏州纳美电子有限公司  
+86(0)512 8818 7890 sales\_nm@nkg.cn  
+86(0)512 8818 7889 www.nkg.com.hk