

QC32 Series

2.5x3.2 4-Pad SMD Quartz Crystal Unit



Features

- Low in height, suitable for thin equipment
- Ceramic package and metal lid assures high reliability
- Tight tolerance and stability available

Applications

- High density applications
- Modem, communication and test equipment
- PCMCIA, wireless applications
- Automotive applications

General Specifications

| | |
|--|-------------------------------------|
| Frequency Range | 10.000 to 120.000MHz (Fundamental) |
| Frequency Tolerance at 25°C | ±10 to ±100ppm (±30ppm standard) |
| Frequency Stability over Temperature Range | See Stability vs. Temperature Table |
| Storage Temperature | -55 to +125°C |
| Load Capacitance C_L | 7 to 32pF and Series Resonance |
| Shunt Capacitance C_0 | 5.0pF max. |
| Equivalent Series Resistance (ESR) | See ESR Table |
| Drive Level | 100µW max. |
| Aging per Year | ±3ppm max. |
| Insulation Resistance (MΩ) | 500 at 100Vdc ±15Vdc |

Equivalent Series Resistance (ESR)

| Frequency Range - MHz | Ω max. | Mode of Operation |
|-----------------------|--------|-------------------|
| 10.000 to 12.000 | 150 | Fundamental |
| 12.001 to 14.000 | 100 | |
| 14.001 to 16.000 | 80 | |
| 16.001 to 20.000 | 60 | |
| 20.001 to 26.000 | 50 | |
| 26.001 to 60.000 | 40 | Third Overtone |
| 54.000 to 120.000 | 100 | |

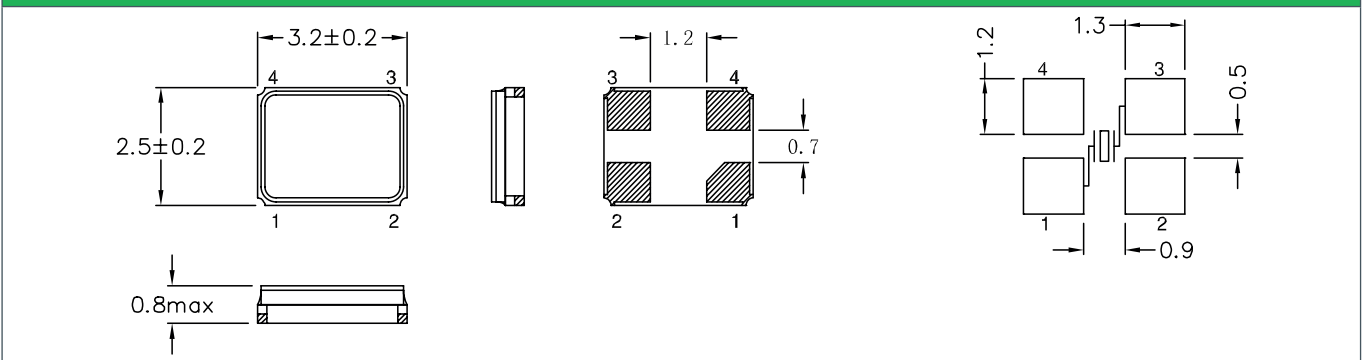
Frequency Stability vs. Temperature

| Operating Temperature | ±10ppm | ±20ppm | ±30ppm | ±50ppm | ±100ppm |
|-----------------------|--------|--------|--------|--------|---------|
| -20 to +70°C | ○ | ○ | ○ | ○ | ○ |
| -40 to +85°C | ○* | ○ | ● | ○ | ○ |
| -40 to +105°C | - | - | - | ○ | ○ |
| -40 to +125°C | - | - | - | - | ○ |

*Operating Temperature -30 to +80°C

● standard ○ available

Mechanical Dimensions



Part Numbering Guide

| Qantek Code | Package | Nominal Frequency (in MHz) | Vibration Mode | Load Capacitance | Operating Temperature Range | Frequency Tolerance | Frequency Stability | Automotive Indicator | Packaging |
|-------------|-------------------------|---|----------------|---|---|--|--|----------------------|---|
| Q = Qantek | C32 = 2.5x3.2 4-Pad SMD | 7 digits including the decimal point (f.i.e. 12.0000) | F = AT-Fund | S = Series 08 = 8pF 12 = 12pF 18 = 18pF 20 = 20pF etc. | A = -20 to +70°C B = -40 to +85°C C = -40 to +105°C D = -40 to +125°C | 1 = ±10ppm 2 = ±20ppm 3 = ±30ppm 5 = ±50ppm 0 = ±100ppm | 1 = ±10ppm 2 = ±20ppm 3 = ±30ppm 5 = ±50ppm 0 = ±100ppm | A = AEC-Q200 | M = 250pcs Tape&Reel R = 1000pcs Tape&Reel R3 = 3000pcs Tape&Reel |

Example: QC3212.0000F12B33R

bold letters = recommended standard specification



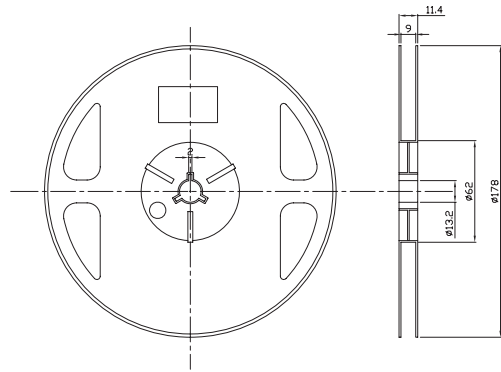
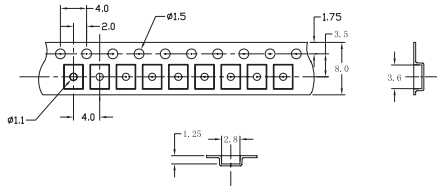
QANTEK Technology Corporation
Phone: +1 877-227-0440 (tollfree)
Fax: +1 877-227-0440 (tollfree)

www.qantek.com
info@qantek.com

QC32 Series

2.5x3.2 4-Pad SMD Quartz Crystal Unit

Tape and Reel Dimensions



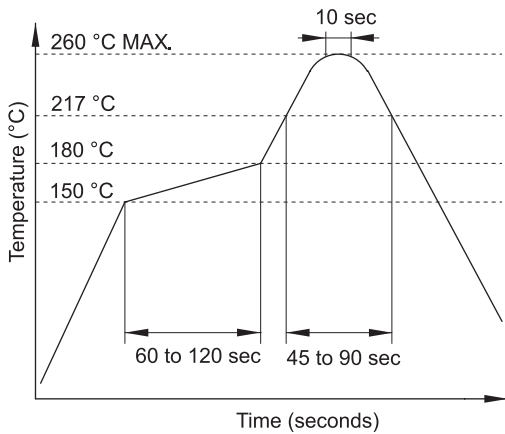
Marking Code Guide

Contains frequency, Qantek manufacturing code, production code (month and year) and load capacitance.

| Month Codes | | | | Year Codes | | | | | | Load Capacitance Code in pF | | | |
|-------------|---|-----------|---|------------|---|------|---|------|---|-----------------------------|---------|----|---------|
| January | A | July | G | 2017 | 7 | 2018 | 8 | 2019 | 9 | pF | PN Code | pF | PN Code |
| February | B | August | H | 2020 | 0 | 2021 | 1 | 2022 | 2 | 12 | A | 20 | F |
| March | C | September | I | 2023 | 3 | 2024 | 4 | 2025 | 5 | 18 | B | 22 | G |
| April | D | October | J | | | | | | | 8 | C | 30 | H |
| May | E | November | K | | | | | | | 10 | D | 32 | I |
| June | F | December | L | | | | | | | 16 | E | S | S |

Example: First Line: 12.000 (Frequency) Second Line: QA8A (Qantek - January - 2018 - 12 pF)

Solder Reflow Profile



Environmental Specifications

| | |
|------------------|-------------------------------|
| Mechanical Shock | MIL-STD-202, Method 213, C |
| Vibration | MIL-STD-202, Method 201 & 204 |
| Thermal Cycle | MIL-STD, Method 1010, B |
| Gross Leak | MIL-STD-202, Method 112 |
| Fine Leak | MIL-STD-202, Method 112 |

All specifications are subject to change without notice.



QANTEK Technology Corporation
 Phone: +1 877-227-0440 (tollfree)
 Fax: +1 877-227-0440 (tollfree)

www.qantek.com
 info@qantek.com