

# QC8GB Series

## 4.5x8.0 2-Pad SMD Quartz Crystal Unit



### Features

- Low cost alternative to common seam seal packages
- RoHS compliant by exemption

### Applications

- Computer peripherals
- Set-top box, TV sets
- Office automation
- Audio & video

### General Specifications

Frequency Range	10.000 to 80.000MHz	
Mode of Oscillation	Fundamental	10.000 to 50.000MHz
	Third Overtone	30.000 to 80.000MHz
Frequency Tolerance at 25°C	±20 to ±50ppm (±30ppm standard)	
Frequency Stability over Temperature Range	See Stability vs. Temperature Table	
Storage Temperature	-55 to +125°C	
Aging per Year	±5ppm	
Load Capacitance $C_L$	8 to 32pF and Series Resonance	
Shunt Capacitance $C_0$	5.0pF max.	
Equivalent Series Resistance (ESR)	See ESR Table	
Drive Level	100µW TYP, 500µW max.	
Insulation Resistance ( $M\Omega$ )	500 at 100Vdc ±15Vdc	

### Equivalent Series Resistance (ESR)

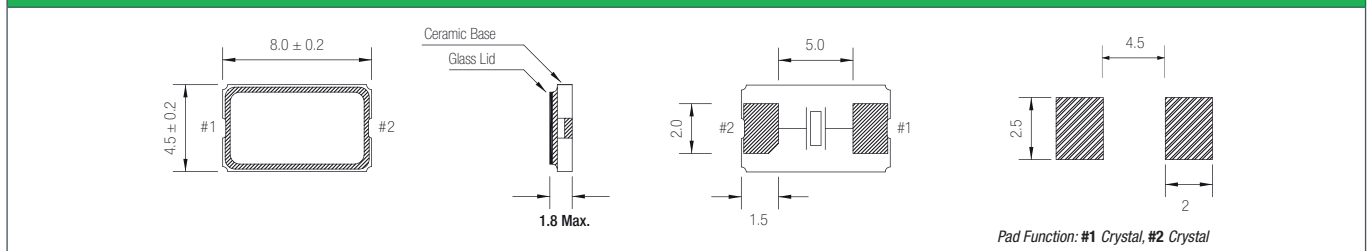
Frequency Range - MHz	$\Omega$ max.	Mode of Operation
10.000 to 12.000	100	Fundamental
12.000 to 14.000	60	
14.000 to 20.000	50	
20.000 to 50.000	40	Third Overtone
30.000 to 60.000	100	
60.000 to 80.000	80	

### Frequency Stability vs. Temperature

Operating Temperature	±20ppm	±30ppm	±50ppm	±100ppm
-20 to +70°C	○	○	○	○
-40 to +85°C	○	●	○	○

● standard    ○ available

### Mechanical Dimensions



### Part Numbering Guide

Qantek Code	Package	Nominal Frequency (in MHz)	Vibration Mode	Load Capacitance	Operating Temperature Range	Frequency Tolerance	Frequency Stability	Packaging
Q = Qantek	C8GB = 4.5x8.0 2-Pad SMD	7 digits including the decimal point (f.i.e. 12.0000)	F = AT-Fund	S = Series 08 = 8pF <b>12 = 12pF</b> 18 = 18pF 20 = 20pF etc.	A = -20 to +70°C <b>B = -40 to +85°C</b>	2 = ±20ppm <b>3 = ±30ppm</b> 5 = ±50ppm 0 = ±100ppm	2 = ±20ppm <b>3 = ±30ppm</b> 5 = ±50ppm 0 = ±100ppm	M = 250pcs Tape&Reel R = 1000pcs Tape&Reel

Example: QC8GB12.0000F12B33R bold letters = recommended standard specification



### QANTEK Technology Corporation

Phone: +1 877-227-0440 (tollfree)

Fax: +1 877-227-0440 (tollfree)

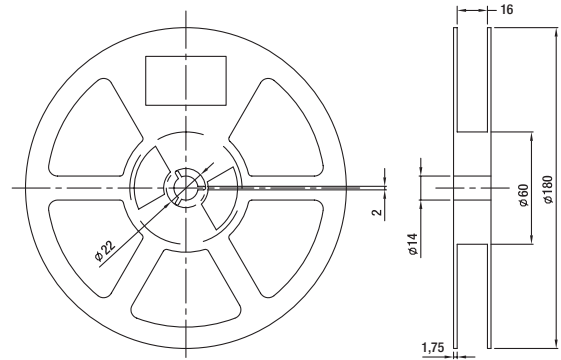
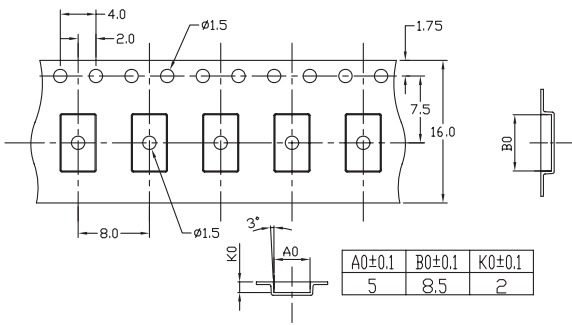
www.qantek.com

info@qantek.com

# QC8GB Series

## 4.5x8.0 2-Pad SMD Quartz Crystal Unit

### Tape and Reel Dimensions



### Marking Code Guide

Contains frequency, Qantek manufacturing code, production code (month and year) and load capacitance.

#### Month Codes

January	A	July	G
February	B	August	H
March	C	September	I
April	D	October	J
May	E	November	K
June	F	December	L

#### Year Codes

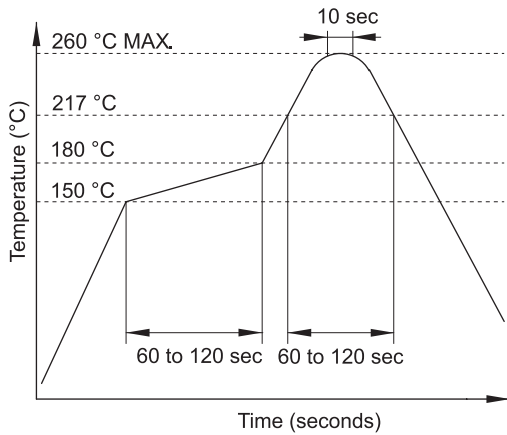
2010	0	2011	1	2012	2
2013	3	2014	4	2015	5

#### Load Capacitance Code in pF

pF	PN Code	pF	PN Code
12	A	20	F
18	B	22	G
8	C	30	H
10	D	32	I
16	E	S	S

Example: First Line: 12.000 (Frequency) Second Line: QA1A (Qantek - January - 2011 - 12 pF)

### Solder Reflow Profile



### Environmental Specifications

Mechanical Shock	MIL-STD-202, Method 213, C
Vibration	MIL-STD-202, Method 201 & 204
Thermal Cycle	MIL-STD, Method 1010, B
Gross Leak	MIL-STD-202, Method 112
Fine Leak	MIL-STD-202, Method 112

All specifications are subject to change without notice.



**QANTEK Technology Corporation**  
 Phone: +1 877-227-0440 (tollfree)  
 Fax: +1 877-227-0440 (tollfree)

www.qantek.com  
 info@qantek.com