



### Features

- Low in height, suitable for thin equipment
- Ceramic package and metal lid assures high reliability
- Tight tolerance and stability available



### Applications

- High density applications
- Modem, communication and test equipment
- PCMCIA, wireless applications
- Automotive applications

### General Specifications

Frequency Range	6.000 to 150.000MHz	
Mode of Oscillation	Fundamental	6.000 to 48.000MHz
	Third Overtone	40.000 to 150.000MHz
Frequency Tolerance at 25°C	±10 to ±30ppm (±30ppm standard)	
Frequency Stability over Temperature Range	See Stability vs. Temperature Table	
Storage Temperature	-55 to +125°C	
Aging per Year	±3ppm max.	
Load Capacitance $C_L$	10 to 32pF and Series Resonance	
Shunt Capacitance $C_0$	7.0pF max.	
Equivalent Series Resistance (ESR)	See ESR Table	
Drive Level	100µW typ.	
Insulation Resistance (MΩ)	500 at 100Vdc ±15Vdc	

### Equivalent Series Resistance (ESR)

Frequency Range - MHz	Ω max.	Mode of Operation
6.000 to 10.000	110	Fundamental
10.100 to 12.000	60	
12.100 to 20.000	45	
20.100 to 48.000	30	Third Overtone
40.000 to 150.000	60	

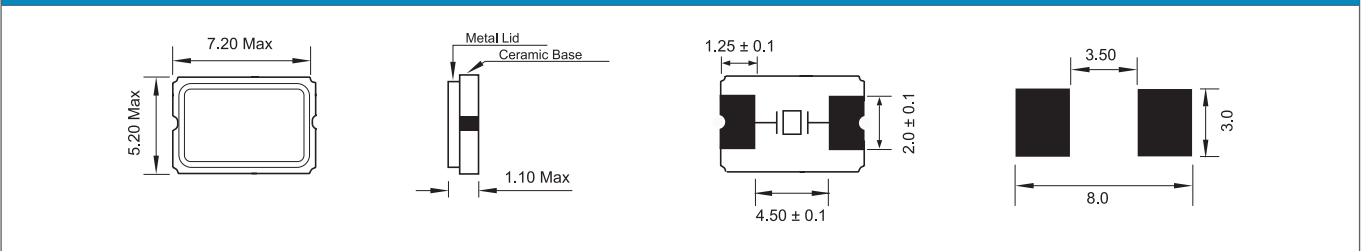
custom values available upon request

### Frequency Stability vs. Temperature

Operating Temperature	±10ppm	±20ppm	±30ppm	±50ppm	±100ppm
-20 to +70°C	○	○	○	○	○
-40 to +85°C	-	○	●	○	○

● standard ○ available

### Mechanical Dimensions



### Part Numbering Guide

Quartz-technik Code	Package	Nominal Frequency (in MHz)	Vibration Mode	Load Capacitance	Frequency Tolerance	Operating Temperature Range	Frequency Stability	Automotive Indicator	Packaging
QT = Quartz-technik	C7B = 5x7 2-Pad SMD	7 digits including the decimal point (f.i.e. 12.0000)	F = AT-Fund	S = Series A = 8pF <b>B = 12pF</b> C = 16pF D = 18pF E = 20pF	T1 = ±10ppm T2 = ±20ppm <b>T3 = ±30ppm</b> T5 = ±50ppm T0 = ±100ppm	C = -20 - +70°C I = -40 - +85°C	10 = ±10ppm 15 = ±15ppm 20 = ±20ppm <b>30 = ±30ppm</b> 50 = ±50ppm 00 = ±100ppm	not available	M = 250pcs Tape&Reel R = 1000pcs Tape&Reel B = Bulk

Example: QTC7B12.0000FBT3I3OR bold letters = recommended standard specification



Quarztechnik Daun GmbH

Quartz Crystals • Oscillators • Sensor Technology

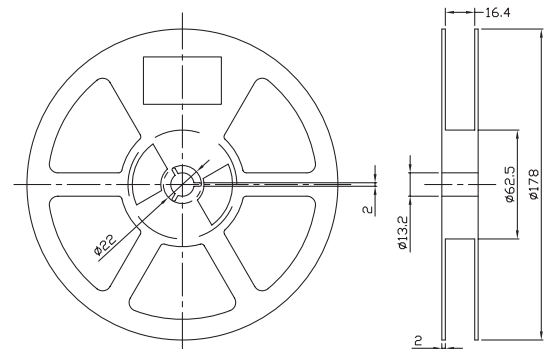
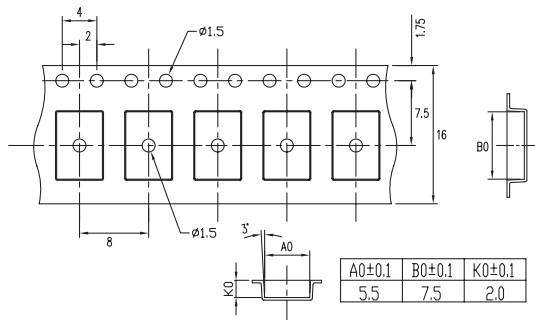
Alte Darscheider Strasse 15  
54550 Daun • Germany

Phone: +49 0 6592-92070  
Fax: +49 0 6592-7670

info@quarztechnik.com  
www.quarztechnik.com



### Tape and Reel Dimensions



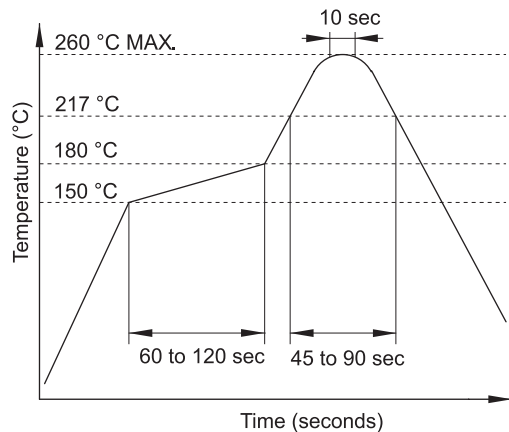
### Marking Code Guide

Contains frequency, Quarztechnik manufacturing code, production code (month and year) and load capacitance.

Month Codes				Year Codes						Load Capacitance Code in pF			
January	A	July	G	2010	0	2011	1	2012	2	pF	PN Code	pF	PN Code
February	B	August	H	2013	3	2014	4	2015	5	12	A	20	F
March	C	September	I	2016	6	2017	7	2018	8	18	B	22	G
April	D	October	J	2019	9	2020	0	2021	1	8	C	30	H
May	E	November	K							10	D	32	I
June	F	December	L							16	E	S	S

Example: First Line: 12.000 (Frequency) Second Line: QA4A (Quarztechnik - January - 2014 - 12 pF)

### Solder Reflow Profile



### Environmental Specifications

Mechanical Shock	MIL-STD-202, Method 213, C
Vibration	MIL-STD-202, Method 201 & 204
Thermal Cycle	MIL-STD, Method 1010, B
Gross Leak	MIL-STD-202, Method 112
Fine Leak	MIL-STD-202, Method 112



Quarztechnik Daun GmbH

Quartz Crystals • Oscillators • Sensor Technology

Alte Darscheider Strasse 15  
54550 Daun • Germany

Phone: +49 0 6592-92070  
Fax: +49 0 6592-7670

info@quarztechnik.com  
www.quarztechnik.com

