

RoHS Compliant Pb - Lead Free	Ltr	Revisions	Date	Appr

Electrical Specifications:

Frequency Range		16.000 to 54.000	MHz
Mode of Oscillation	Fundamental	16.000 to 54.000	MHz
Frequency Tolerance at 25°C	Standard	±30	PPM Max (Note 1)
	Optional	±25	
		±20	
		±15	
		±10	
Frequency Stability over Temperature Range	Standard	±50	PPM Max (Note 1)
	Optional	±30	
		±25	
		±20	
		±15*	
Operating Temperature Range	Standard	-10 to +70	°C
	Extended	-40 to +85	
Storage Temperature Range		-55 to +125	
Aging		±3	PPM Max/Year
Load Capacitance		7 to 32 and Series Resonance	pF
Shunt Capacitance		3.0	
Equivalent Series Resistance(ESR)		See ESR Table	Ohm
Drive Level		100	uW Typ
Insulation Resistance		500 at 100 Vdc ± 15 Vdc	M Ohm

Frequency Range and ESR Values:

Frequency Range in MHz	ESR Ohm Max	Mode of Operation
16.000 to 19.199	200	Fundamental
19.200 to 25.999	100	Fundamental
26.000 to 35.999	80	Fundamental
36.000 to 54.000	60	Fundamental



11-3 Chien-Kuo Rd T.E.P.Z. 4027 Taiwan, ROC

All dimensions are millimeters.

CAD: TCR

Review: EG

Appr: JL

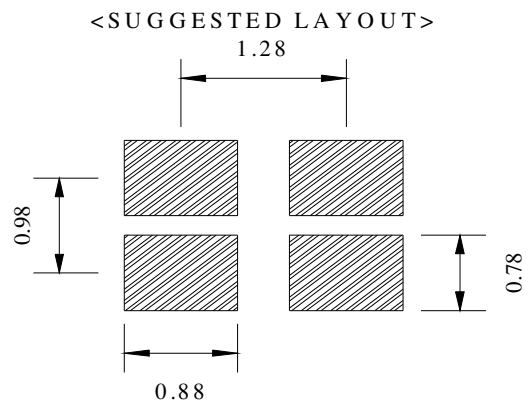
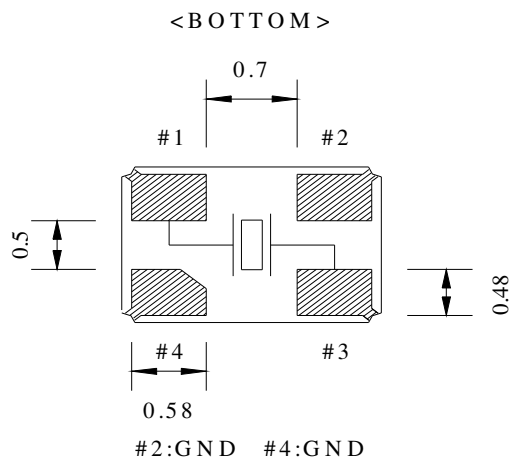
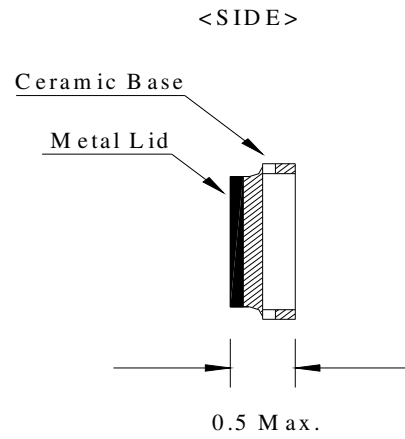
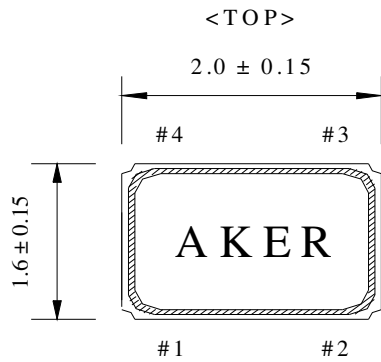
Page: 1/4 Date: Nov 20,2018

Specification Title:

**Microprocessor Crystal Unit
Low Profile
1.6 x 2.0 millimeter Surface Mount
General Product Specification**

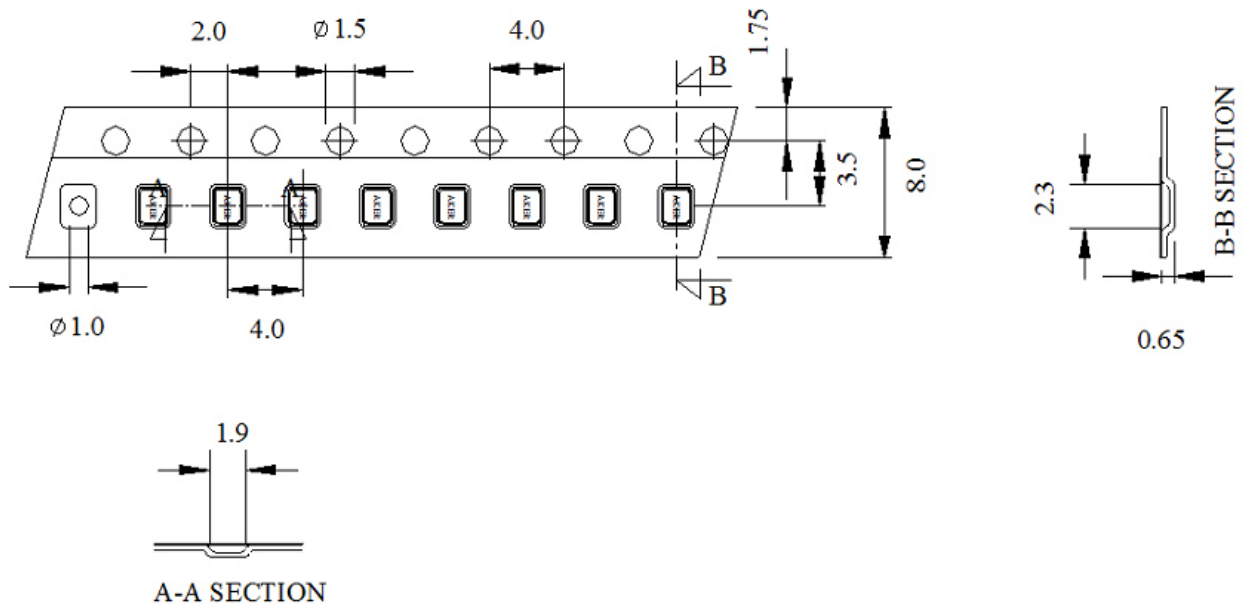
Part Number: C1E Series

Mechanical Outline:



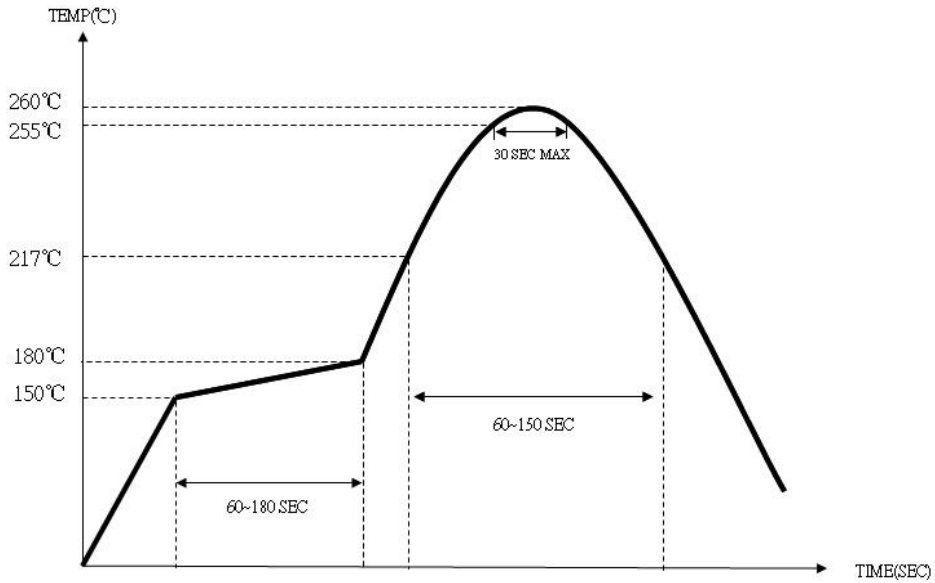
**Package is Seam Sealed Ceramic-Metal.
Dimensions are millimeters.**

Carrier Tape Dimensions:



Dimensions are millimeters.

Solder Reflow Characteristics:



How to build a Part Number:

Series		C	Parameter
Package		1E	1.6 x 2.0 mm Seam Seal
-			
Frequency		16.000 to 54.000	MHz
-			
Load Capacitance		7	7pF
		10	10 pF
		12	12 pF
		16	16 pF
		18	18 pF
		20	20 pF
		32	32 pF
-			
Frequency Tolerance (Note 1)	Standard	30	±30PPM
	Option	25	±25PPM
		20	±20PPM
		15	±15PPM
		10	±10PPM
Frequency Stability (Note 1)	Standard	50	±50PPM
	Option	30	±30PPM
		25	±25PPM
		20	±20PPM
		15	±15PPM*
-			
Temperature Range	Standard	See Notes	-10 to +70 °C
	Option	X	-40 to +85 °C
-			
Packaging		R	Tape and Reel

Part Number Example:

C1E-50.000-10-3050-R
C1E- 1.6 x 2.0 mm SMD Seam Seal Crystal Unit
50.000 MHz Nominal Frequency
10 pF Load Capacitance
3050: ±30 PPM Frequency Tolerance and ±50 PPM Frequency
Stability Fundamental Mode
-10 to +70° C Temperature Range
R: Tape and Reel Packaging

Notes:

- 1- Frequency Tolerance and Stability options are limited due to physical size.
 * ±10 PPM Temperature Stability is only available from -30 to +85° C.
- 2- Standard Temperature Range does not need to be included in Part Number description.
- 3- Product is shipped in Tape and Reel configuration. Each reel contains 3000 pieces.
- 4- Quantities less than 3000 are shipped bulk in ESD pouches.
- 5- Specification subject to change without notice.

Page: 4/4	Date: Nov 20,2018	P/N: C1E Series	
-----------	-------------------	------------------------	--