

RoHS Compliant
Pb - Lead Free

Ltr	Revisions	Date	Appr

Electrical Specifications:

Frequency Range		4.000 to 50.000			MHz
Temperature Stability		±100			PPM Max
		±50			
		±25			
Aging per Year		±3			
Operating Temperature Range	Standard	-10 to +70			°C
	Extended	-40 to +85			
Storage Temperature Range		-55 to +125			
Supply Voltage		+1.8 ± 5%	+2.5 ± 5%	+3.3 ± 10%	Vdd
Input Current	4.000 to 10.000 MHz	3	4	5	mA Max
	10.100 to 20.000 MHz	4	5	6	
	20.100 to 32.000 MHz	5	6	7	
	32.100 to 50.000 MHz	6	7	8	
Output Voltage	Logic High (Voh)	90%			Vdd Min
	Logic Low (Vol)	10%			Vdd Max
Output Symmetry (Duty Cycle)	Standard	40 to 60			%
Output Load		15			pF
Output Level		CMOS			-
Phase Jitter (12 KHz to 20 MHz)		1			ps Max RMS
Rise and Fall Time		6			ns Max
Standby Function		Tri-State			-
Start Up Time		10			ms Max

Temperature stability is Inclusive of all conditions:

Calibration Tolerance at +25°C, frequency stability over the operating temperature range, supply voltage, supply voltage change, output load changes, shock, vibration, and 1st year aging at +25°C.



11-3 Chien-Kuo Rd T.E.P.Z. 4027 Taiwan, ROC

All dimensions are millimeters.

CAD: TCR

Review: EG

Appr: JL

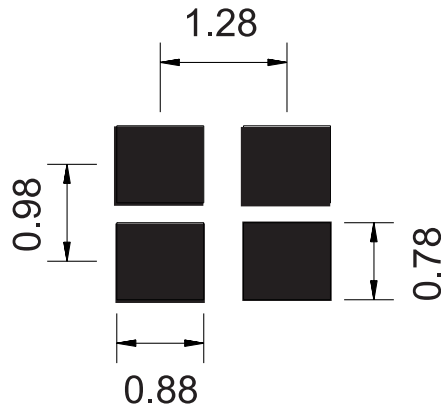
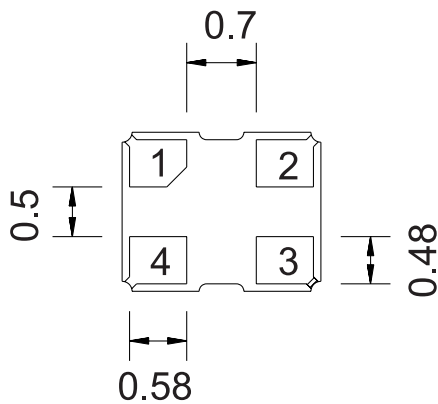
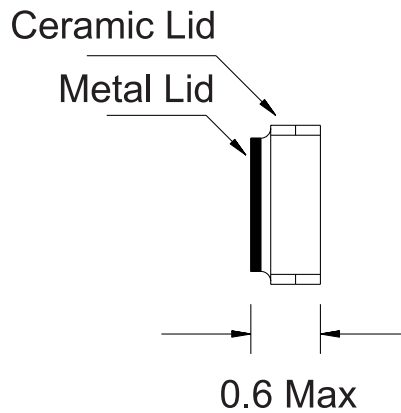
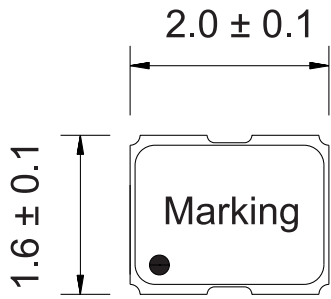
Page: 1/4 Date: Oct. 29, 2013

Specification Title:

**Clock Oscillator
Ultra Miniature
2.0 x 1.6 millimeter Surface Mount
General Product Specification**

Part Number: **S1 Series**

Mechanical Outline:



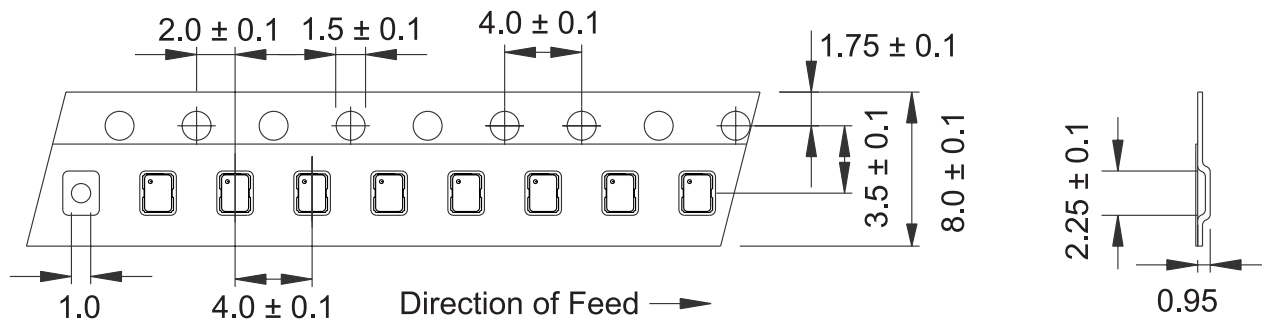
- Pin 1: Enable/Disable
- Pin 2: Ground
- Pin 3: Output
- Pin 4: Vdc

Recommended Solder Pattern

Pin1	Pin 3
INH	Output
High or Open	Operating
Low	High Impedance

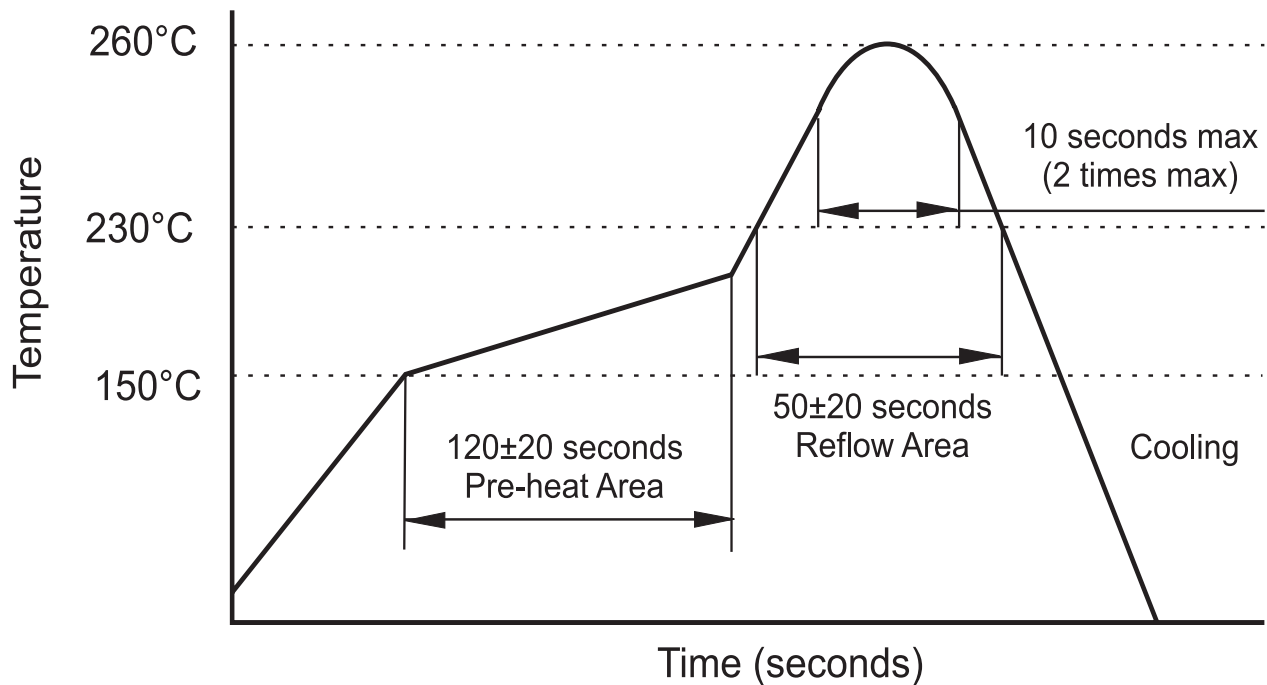
**Package is Seam Sealed Ceramic-Metal.
Dimensions are millimeters.**

Carrier Tape Dimensions:



Dimensions are millimeters.

Solder Reflow Characteristics:



How to build a Part Number:

Series	S	Parameter
Package	1	2.0 x 1.6 mm
Supply Voltage	33	+3.3 Vdd ± 10%
	25	+2.5 Vdd ± 5%
	18	+1.8 Vdd ± 5%
Temperature Stability	10	±100 PPM
	05	±50 PPM
	025	±25 PPM
Duty Cycle	See Notes	40 to 60%
		-
Frequency	4.000 to 50.000	MHz
		-
Temperature Range	See Notes	-10 to +70 °C
	X	-40 to +85 °C
		-
Packaging	R	Tape and Reel

Part Number Example:

S12505-18.432-X-R

S1: 2.0 x 1.6 mm SMD Package

25: +2.5 Vdd Supply Voltage

05: ±50 PPM Temperature Stability

18.432 MHz Nominal Frequency

X: -40 to + 85° C Extended Temperature Range

R: Tape and Reel Packaging

Notes:

1- Standard Duty Cycle and Temperature Range do not need to be included in Part Number description.

2- Product is shipped in Tape and Reel configuration. Each reel contains 1000 pieces.

3- Specification subject to change without notice.