

RoHS Compliant
Pb - Lead Free

Ltr	Revisions	Date	Appr

Electrical Specifications:

Frequency Range		13.500 - 156.250		MHz
Frequency Stability over Temperature		±100		PPM Max
		±50		
		±25		
Aging per Year		±3		
Operating Temperature Range	Standard	-10 to +70		°C
	Extended	-40 to +85		
Storage Temperature Range		-55 to +125		
Supply Voltage		2.5 ± 5%	3.3 ± 5%	Vdd
Input Current	13.500-156.250	50	50	mA Max
Output Voltage	Logic High (Voh)	1.475	2.275	Vdd Min
	Logic Low (Vol)	1.095	1.68	Vdd Max
Output Symmetry		45 to 55		%
Output Type		LVPECL		-
Output Load		50		Ω
Input Enable Voltage		1.75	2.31	V(Min)
Input Disable Voltage		0.75	0.99	V(Max)
Rise and Fall Time	13.500-99.999Mhz	1	1	ns Max
	100.000 - 156.250Mhz	0.5	0.5	
Phase Jitter (12 KHz to 20 MHz)		1		ps RMS

Temperature stability is Inclusive of all conditions:
Calibration Tolerance at +25°C, frequency stability over the operating temperature range, supply voltage, supply voltage change, output load changes, shock, vilbration, and 1st year aging at +25°C.



11-3 Chien-Kuo Rd T.E.P.Z. 4027 Taiwan, ROC

All dimensions are millimeters.

CAD: TCR

Review: EG

Appr: JL

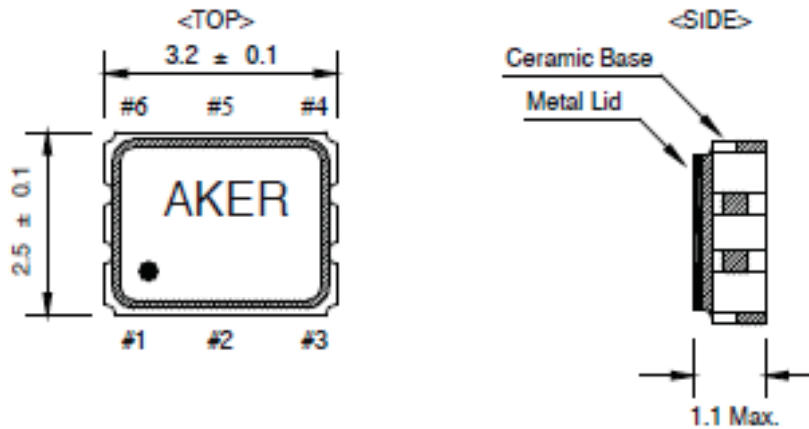
Page: 1/4 Date: June 29, 2016

Specification Title:

**Clock Oscillator
LVPECL - Complimentary Output
3.2 x 2.5 millimeter Surface Mount - 6 Pad
General Product Specification**

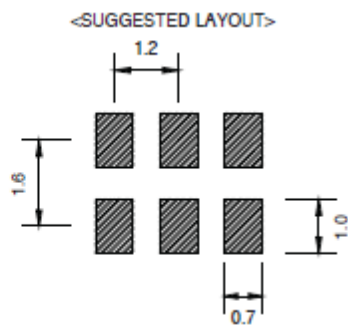
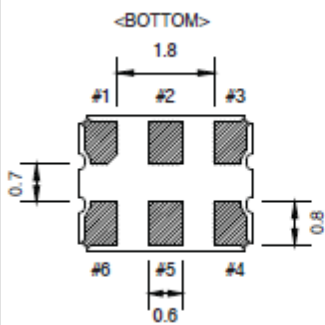
Part Number: **S3A Series**

Mechanical Outline:

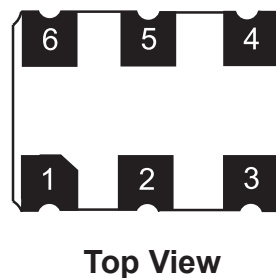


Package is Seam Sealed Ceramic-Metal.
Dimensions are millimeters.

PCB Solder Pad Layout:



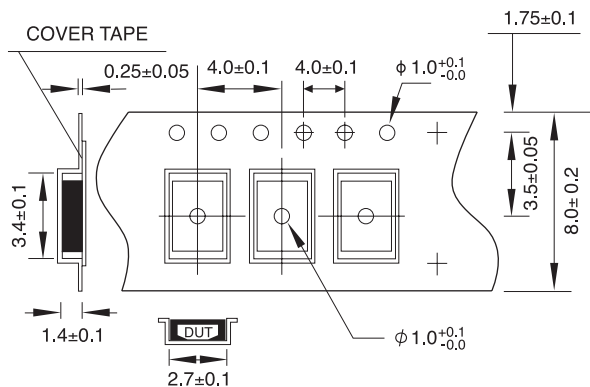
Pad Connection:



Pin Connection

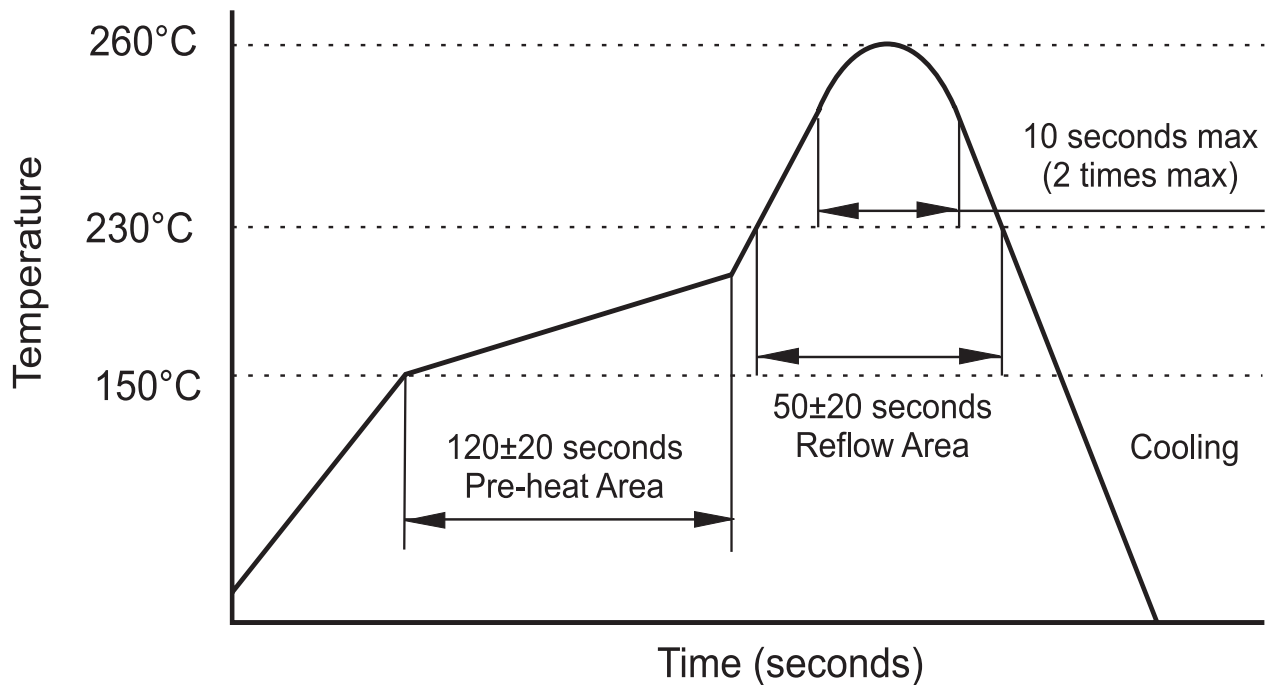
- 1- INH
- 2- NC
- 3- GND
- 4- Output - Q
- 5- Comp. Output - QN
- 6- Vdd

Carrier Tape Dimensions:



Dimensions are millimeters.

Solder Reflow Characteristics:



How to build a Part Number:

Series	S	Parameter
Package	3A	3.2 x 2.5 mm - 6 Pad
Supply Voltage	25	+2.5 Vdd ± 5%
	33	+3.3 Vdd ± 5%
Temperature Stability	10	±100 PPM
	05	±50 PPM
	025	±25 PPM
Frequency	13.500 - 156.250	MHz
Output Load	P	LVPECL
Temperature Range	See Notes	0 to +70 °C
	X	-40 to +85 °C
Packaging	R	Tape and Reel

Part Number Example:

S3A3310-155.520-P-X-R

S3A: 3.2 x 2.5 mm SMD Package - 6 Pad

33: +3.3 Vdd Supply Voltage

10: ±100 PPM Temperature Stability

155.520 MHz Nominal Frequency

P: LVPECL - Complimentary Output

X: -40 to + 85° C Extended Temperature Range

R: Tape and Reel

Notes:

- 1- Standard Temperature Range does not need to be included in Part Number description.
- 2- Product is shipped in Tape and Reel configuration. Each reel contains 1000 pieces.
- 3- Quantities less than 1000 are shipped bulk in ESD pouches.
- 4- Specification subject to change without notice.