

RoHS Compliant
Pb - Lead Free

Ltr	Revisions	Date	Appr

Electrical Specifications:

Frequency Range		77.000 to 160.000		MHz
Frequency Stability over Temperature		±100		PPM Max
		±50		
		±25		
Aging per Year		±3		
Operating Temperature Range	Standard	0 to +70		°C
	Extended	-40 to +85		
Storage Temperature Range		-55 to +125		
Supply Voltage		2.5 ± 5%	3.3 ± 5%	Vdd
Input Current	77.000 to 100.000 MHz	60	60	mA Max
	101.000 to 160.000 MHz	65	65	
Output Voltage	Logic High (Voh)	1.6	1.6	Vdd Min
	Logic Low (Vol)	0.9	0.9	Vdd Max
Differential Output Voltage (Vod)		247 to 454		mV
Offset Voltage (Vos)		1.125 to 1.375		V
Output Symmetry		45 to 55		%
Output Type		LVDS - Complimentary Output		-
Output Load (Between Q and QN)		100		Ω
Rise and Fall Time	77.000 to 100.000 MHz	1	1	ns Max
	101.000 to 160.000 MHz	0.5	0.5	
Enable-Disable Function		Tri-State		-
		INH - Pin 1	Q Pin 4 - QN Pin 5	-
		High - Pin 1	Operating	-
		Low - Pin 1	High Impedance	-
Enable High Input Voltage		1.75	2.31	Vdd Min
Enable Low Input Voltage		0.75	0.99	Vdd Max
Phase Jitter (12 KHz to 20 MHz)	77.000 to 159.900 MHz	1		ps RMS
	160.000 to 625.000 MHz	4		

Temperature stability is Inclusive of all conditions:
Calibration Tolerance at +25°C, frequency stability over the operating temperature range, supply voltage, supply voltage change, output load changes, shock, vibration, and 1st year aging at +25°C.



11-3 Chien-Kuo Rd T.E.P.Z. 4027 Taiwan, ROC

All dimensions are millimeters.

CAD: TCR

Review: EG

Appr: JL

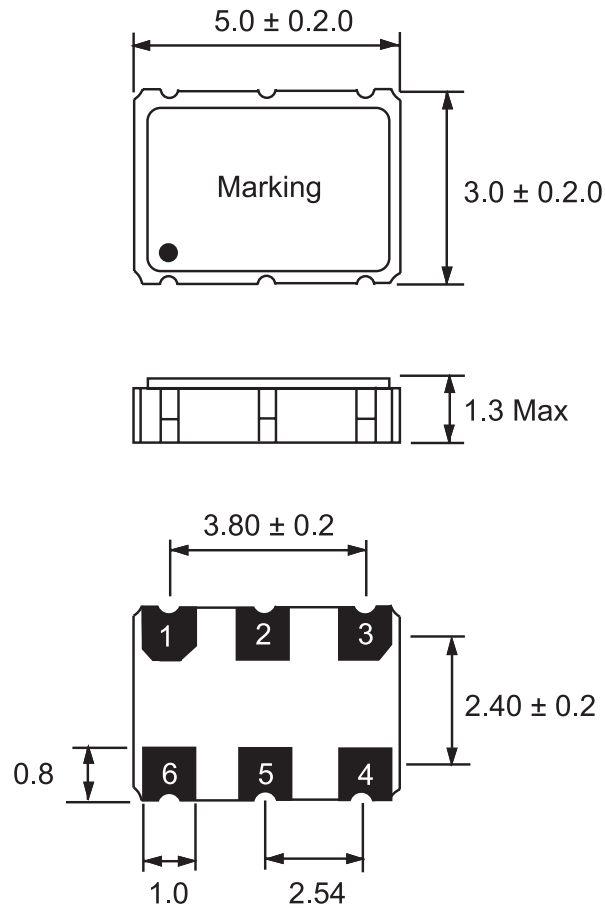
Page: 1/4 Date: Sept. 13, 2007

Specification Title:

**Clock Oscillator
LVDS - Complimentary Output
3.2 x 5.0 millimeter Surface Mount - 6 Pad
General Product Specification**

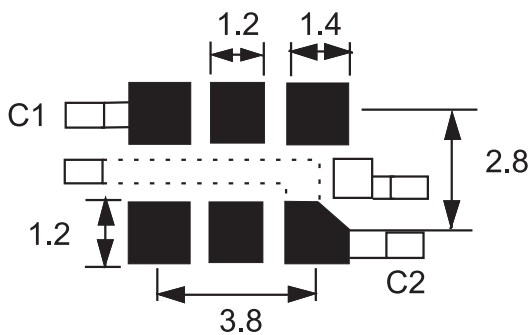
Part Number: **S5A Series**

Mechanical Outline:

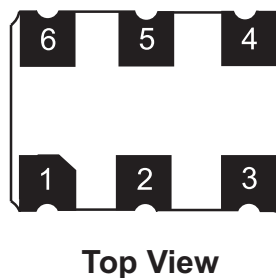


Package is Seam Sealed Ceramic-Metal.
Dimensions are millimeters.

PCB Solder Pad Layout:



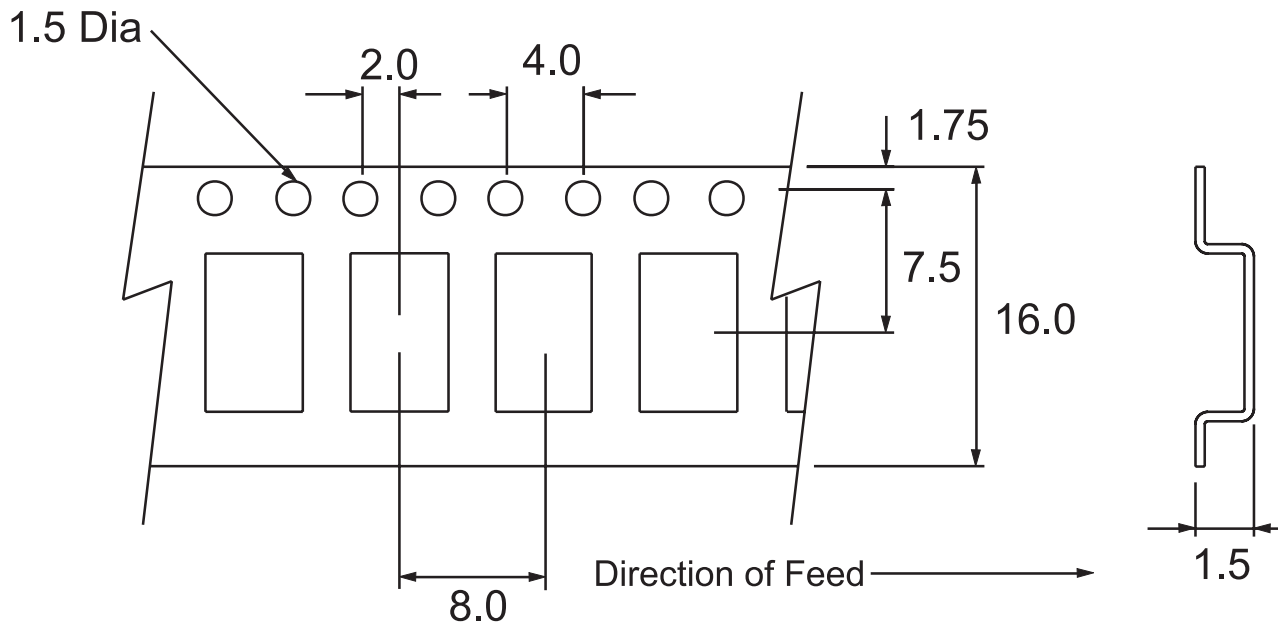
Pad Connection:



Pin Connection

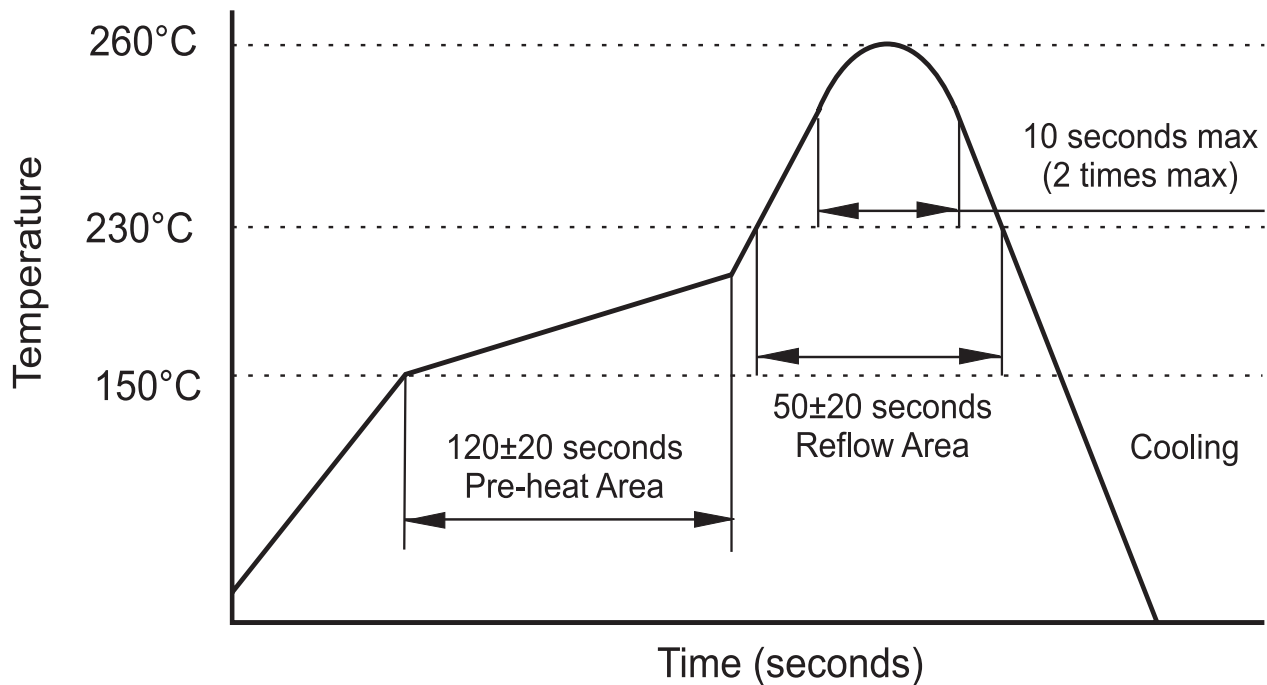
- 1- INH
- 2- NC
- 3- GND
- 4- Output - Q
- 5- Comp. Output - QN
- 6- Vdd

Carrier Tape Dimensions:



Dimensions are millimeters.

Solder Reflow Characteristics:



How to build a Part Number:

Series	S	Parameter
Package	5A	5.0 x 3.2 mm - 6 Pad
Supply Voltage	25	+2.5 Vdd \pm 5%
	33	+3.3 Vdd \pm 5%
Temperature Stability	10	\pm 100 PPM
	05	\pm 50 PPM
	025	\pm 25 PPM
Frequency	77.000 to 160.000	MHz
Output Load	L	LVDS
Temperature Range	See Notes	0 to +70 °C
	X	-40 to +85 °C
Packaging	R	Tape and Reel

Part Number Example:

S5A3310-155.520-L-X-R

S5A: 3.2 x 5.0 mm SMD Package - 6 Pad

33: +3.3 Vdd Supply Voltage

10: \pm 100 PPM Temperature Stability

155.520 MHz Nominal Frequency

L: LVDS - Complimentary Output

X: -40 to + 85° C Extended Temperature Range

R: Tape and Reel

Notes:

- 1- Standard Temperature Range does not need to be included in Part Number description.
- 2- Product is shipped in Tape and Reel configuration. Each reel contains 1000 pieces.
- 3- Quantities less than 1000 are shipped bulk in ESD pouches.
- 4- Specification subject to change without notice.