

**RoHS Compliant
Pb - Lead Free**

Ltr	Revisions	Date	Appr

Electrical Specifications:

Frequency Range		25.000 to 160.000		MHz
Frequency Stability over Temperature		±100		PPM Max
		±50		
		±25		
Aging per Year		±3		
Operating Temperature Range	Standard	0 to +70		°C
	Extended	-40 to +85		
Storage Temperature Range		-55 to +125		
Supply Voltage		2.5 ± 5%	3.3 ± 5%	Vdd
Input Current	25.000 to 100.000 MHz	60	60	mA Max
	100.100 to 160.000 MHz	65	65	
Output Voltage	Logic High (Voh)	1.475	2.275	Vdd Min
	Logic Low (Vol)	1.095	1.68	Vdd Max
Output Symmetry		45 to 55		%
Output Type		LVPECL - Complimentary Output		-
Output Load		50		Ω
Rise and Fall Time	10.000 to 29.900 MHz	1	1	ns Max
	30.000 to 59.900 MHz	0.5	0.5	
Enable-Disable Function		Tri-State		-
		INH - Pin 1	Q Pin 4 - QN Pin 5	-
		High - Pin 1	Operating	-
		Low - Pin 1	High Impedance	-
Enable High Input Voltage		1.75	2.31	Vdd Min
Enable Low Input Voltage		0.75	0.99	Vdd Max
Phase Jitter (12 KHz to 20 MHz)		1		ps RMS

Temperature stability is Inclusive of all conditions:
 Calibration Tolerance at +25°C, frequency stability over the operating temperature range, supply voltage, supply voltage change, output load changes, shock, vilbration, and 1st year aging at +25°C.



11-3 Chien-Kuo Rd T.E.P.Z. 4027 Taiwan, ROC

All dimensions are millimeters.

CAD: TCR

Review: EG

Appr: JL

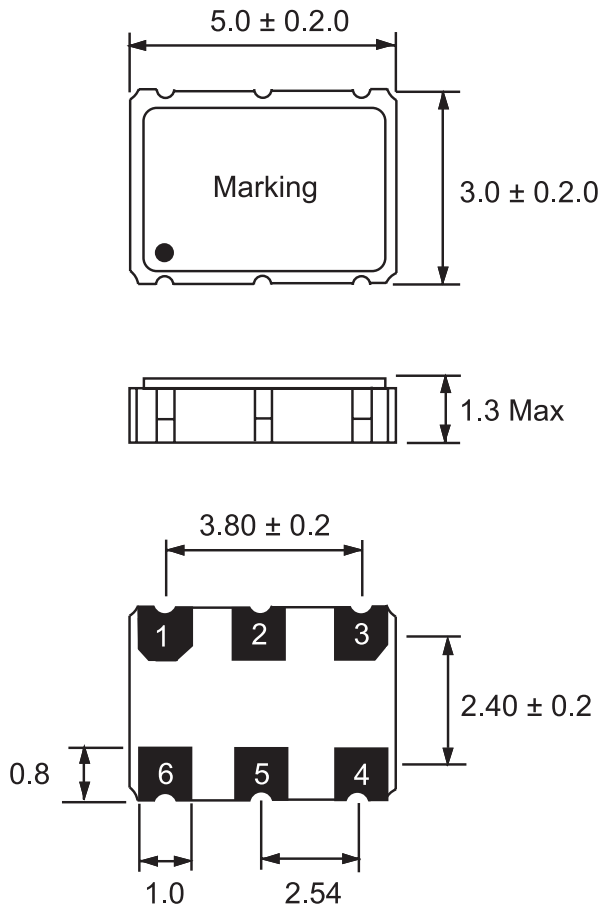
Page: 1/4 Date: Sept. 13, 2007

Specification Title:

**Clock Oscillator
 LVPECL - Complimentary Output
 3.2 x 5.0 millimeter Surface Mount - 6 Pad
 General Product Specification**

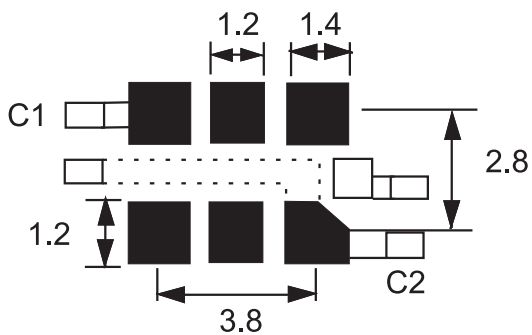
Part Number: **S5A Series**

Mechanical Outline:

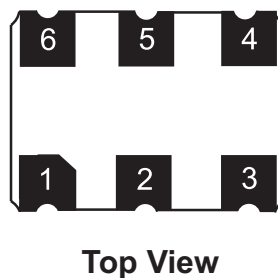


**Package is Seam Sealed Ceramic-Metal.
Dimensions are millimeters.**

PCB Solder Pad Layout:



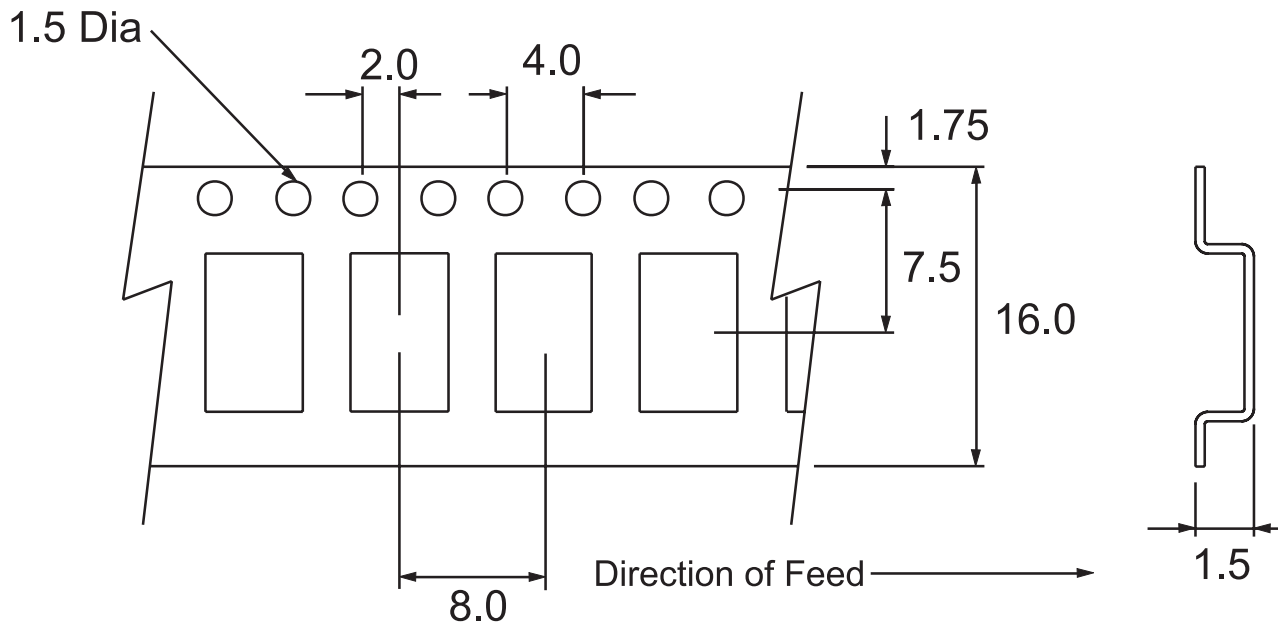
Pad Connection:



Pin Connection

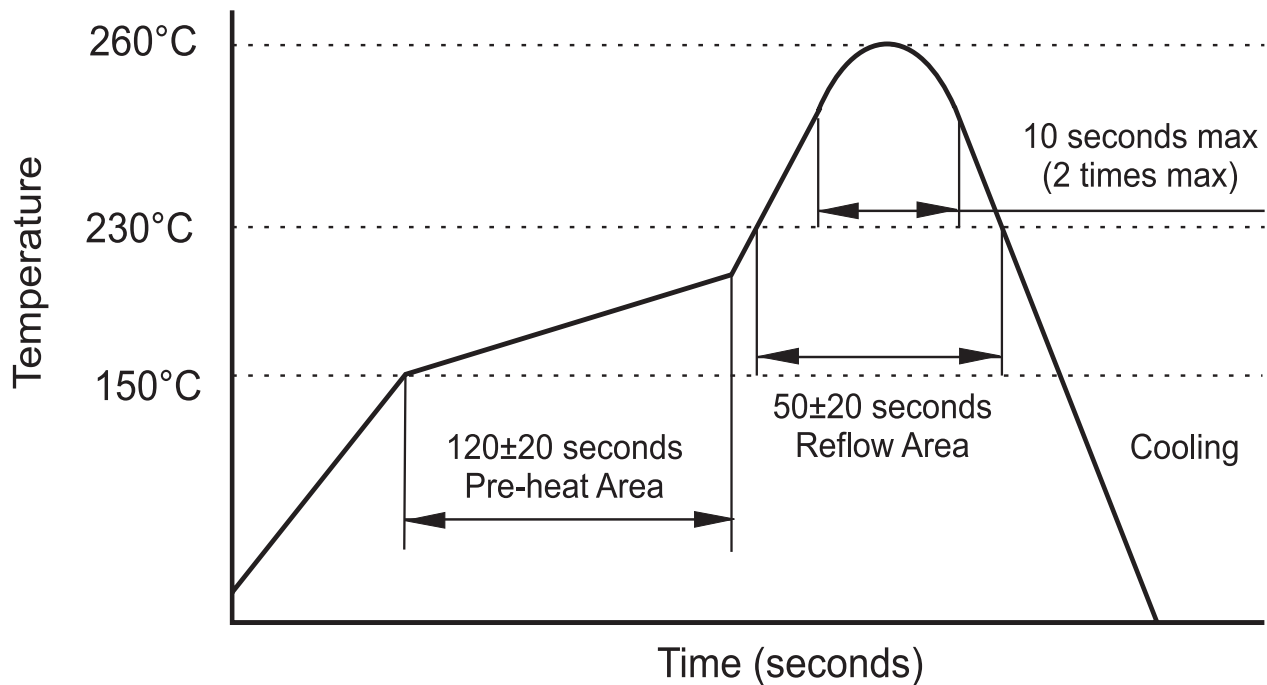
- 1- INH
- 2- NC
- 3- GND
- 4- Output - Q
- 5- Comp. Output - QN
- 6- Vdd

Carrier Tape Dimensions:



Dimensions are millimeters.

Solder Reflow Characteristics:



How to build a Part Number:

Series	S	Parameter
Package	5A	5.0 x 3.2 mm - 6 Pad
Supply Voltage	25	+2.5 Vdd ± 5%
	33	+3.3 Vdd ± 5%
Temperature Stability	10	±100 PPM
	05	±50 PPM
	025	±25 PPM
Frequency	25.000 to 160.000	MHz
Output Load	P	LVPECL
Temperature Range	See Notes	0 to +70 °C
	X	-40 to +85 °C
Packaging	R	Tape and Reel

Part Number Example:

S5A3310-155.520-P-X-R

S5A: 3.2 x 5.0 mm SMD Package - 6 Pad

33: +3.3 Vdd Supply Voltage

10: ±100 PPM Temperature Stability

155.520 MHz Nominal Frequency

P: LVPECL - Complimentary Output

X: -40 to + 85° C Extended Temperature Range

R: Tape and Reel

Notes:

- 1- Standard Temperature Range does not need to be included in Part Number description.
- 2- Product is shipped in Tape and Reel configuration. Each reel contains 1000 pieces.
- 3- Quantities less than 1000 are shipped bulk in ESD pouches.
- 4- Specification subject to change without notice.