

RoHS Compliant Pb - Lead Free	Ltr	Revisions	Date	Appr

**Electrical Specifications:**

Frequency Range		0.500 to 156.000					MHz
Temperature Stability		±100					PPM Max
		±50					
		±30					
		±25					
Aging per Year		±3					
Operating Temperature Range	Standard	-10 to +70					°C
	Extended	-40 to +85					
Storage Temperature Range		-55 to +125					
Supply Voltage		1.8 ± 5%	2.5 ± 5%	2.85 ± 5%	3.3 ± 10%	5.0 ± 10%	Vdd
Input Current	1.000 to 32.000 MHz	7	8	15	7	25	mA Max
	32.100 to 50.000 MHz	15	20	20	12	30	
	50.100 to 70.000 MHz	15	12	25	25	40	
	70.100 to 80.000 MHz	15	20	30	25	50	
	80.100 to 125.000 MHz	20	25	35	30	60	
	125.100 to 156.000 MHz	25	30	40	40	80	
Output Voltage	Logic High (Voh)	90% (80% at 1.8)					Vdd Min
	Logic Low (Vol)	10% (20% at 1.8)					Vdd Max
Output Symmetry	Standard	40 to 60					%
	Tight	45 to 55					
Output Load	15					pF Max HCMOS	
	30						
	50						
Rise and Fall Time	1.000 to 32.000 MHz	5	5	6	10	10	ns Max
	32.100 to 50.000 MHz	5	5	6	10	5	
	50.100 to 70.000 MHz	4	4	4	6	5	
	70.100 to 80.000 MHz	4	4	4	5	5	
	80.100 to 125.000 MHz	3	3	4	5	4	
	125.100 to 155.520 MHz	3	3	3	4	4	
Phase Jitter (12 KHz to 20 MHz)		1					ps Max RMS
Enable-Disable Function		Tri-State					-
Output Disable Time		300	150				ns Max
Output Enable Time		10	10				ms Max
Start Up Time		10					ms Max

Temperature stability is Inclusive of all conditions:

Calibration Tolerance at +25°C, frequency stability over the operating temperature range, supply voltage, supply voltage change, output load changes, shock, vibration, and 1st year aging at +25°C.



11-3 Chien-Kuo Rd T.E.P.Z. 4027 Taiwan, ROC

All dimensions are millimeters.

CAD: TCR

Review: EG

Appr: MK

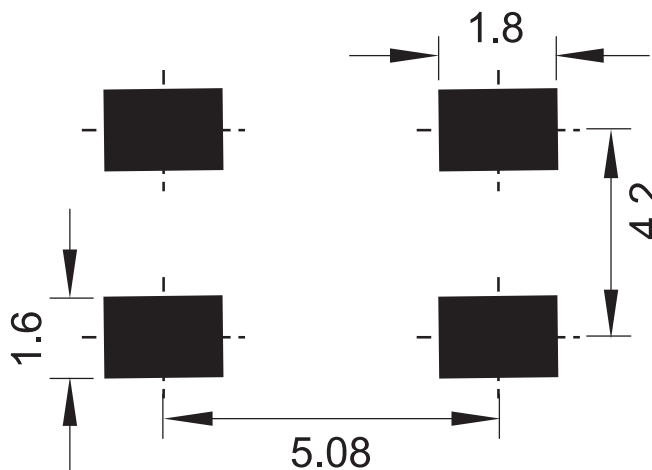
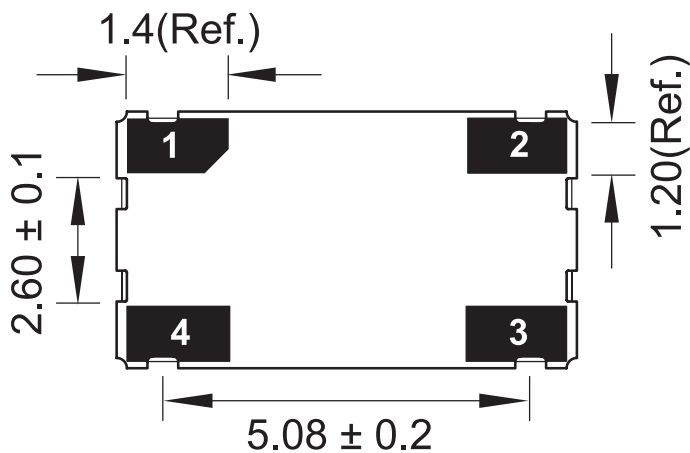
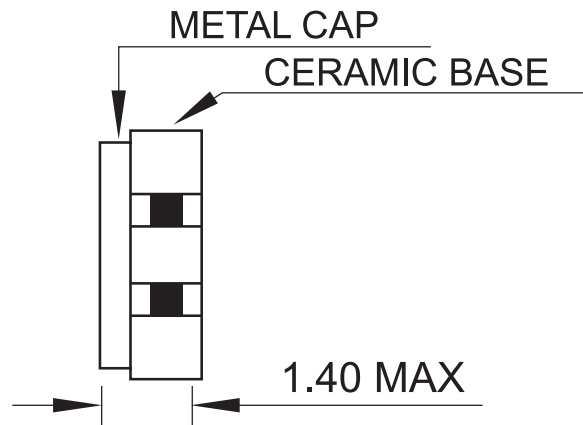
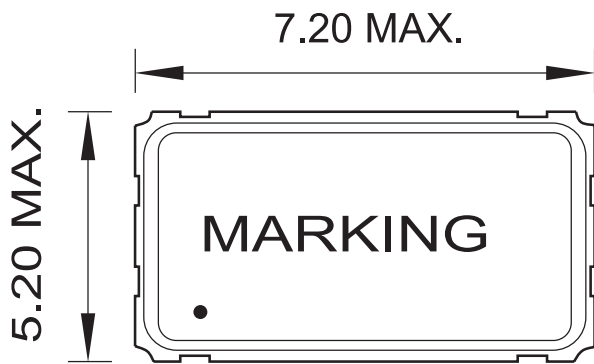
Page: 1/4 Date: Feb 7, 2008

Specification Title:

**Clock Oscillator  
Low Profile  
5.0 x 7.0 millimeter Surface Mount  
General Product Specification**

Part Number: **S7 Series**

**Mechanical Outline:**



#1 : E/D      #2 : GND  
 #4 : VDC      #3 : OUTPUT

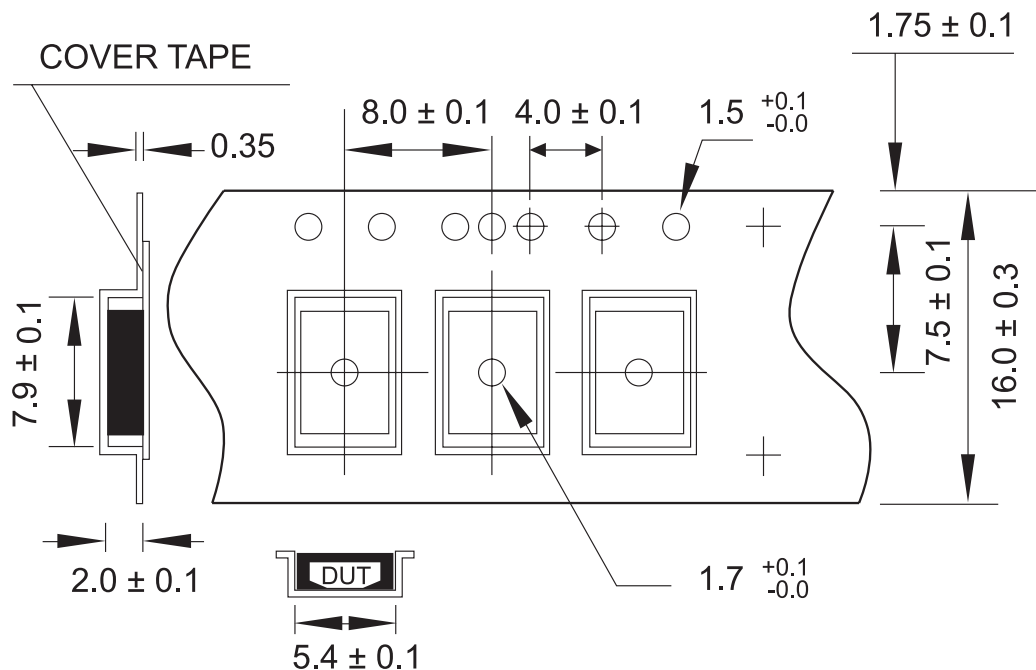
Bottom

Recommended Land Pattern

<b>Pin1</b>	<b>Pin 3</b>
<b>INH</b>	<b>Output</b>
<b>High or Open</b>	<b>Operating</b>
<b>Low</b>	<b>High Impedance</b>

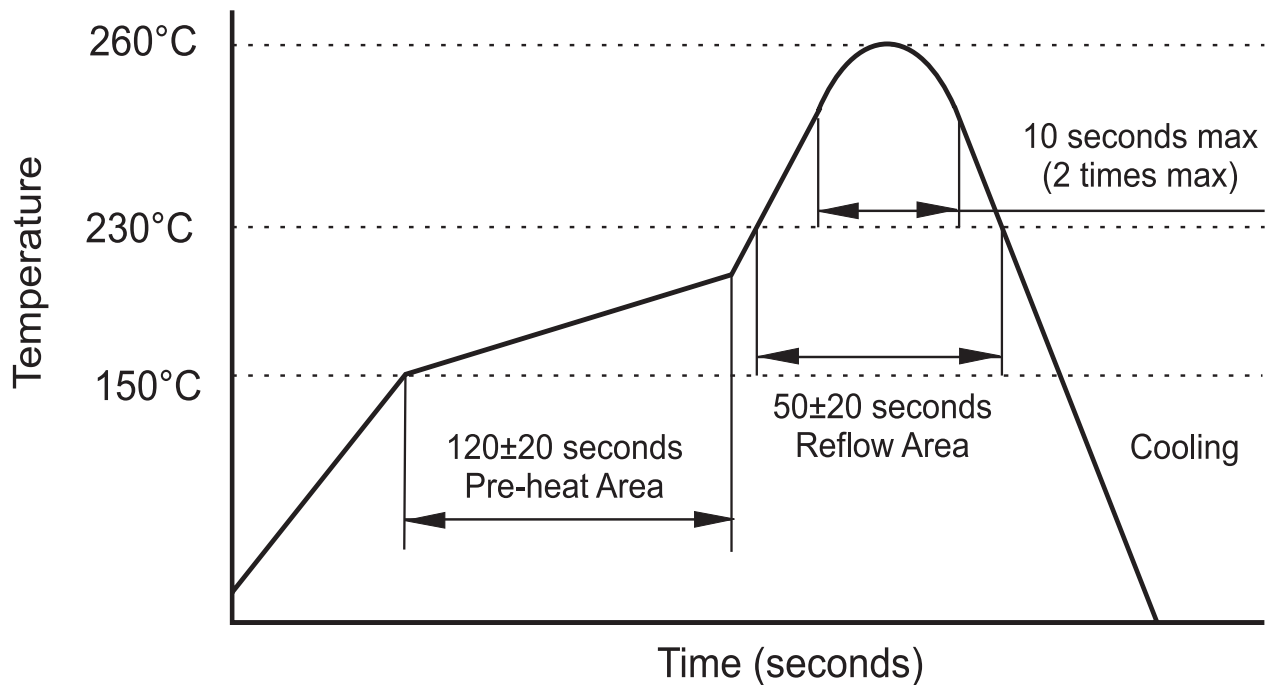
**Package is Seam Sealed Ceramic-Metal.  
 Dimensions are millimeters.**

### Carrier Tape Dimensions:



Dimensions are millimeters.

### Solder Reflow Characteristics:



## How to build a Part Number:

Series	S	Parameter
Package	7	5.0 x 7.0 mm
Supply Voltage	50	+5.0 Vdd ± 10%
	33	+3.3 Vdd ± 10%
	28	+2.8 Vdd ± 5%
	25	+2.5 Vdd ± 5%
	18	+1.8 Vdd ± 5%
Temperature Stability	10	±100 PPM
	05	±50 PPM
	03	±30 PPM
	025	±25 PPM
Duty Cycle	See Notes	40 / 60 %
	T	45 / 55 %
Frequency	0.500 to 156.000	MHz
Temperature Range	See Notes	-10 to +70 °C
	X	-40 to +85 °C
Output Load	15	pF Max HCMOS
	30	
	50	
Packaging	R	Tape and Reel

### Part Number Example:

**S73305T-50.000-X-15-R**

**S7:** 5.0 x 7.0 mm SMD Package

**33:** +3.3 Vdd Supply Voltage

**05:** ±50 PPM Temperature Stability

**T:** 45/55% Tight Symmetry

**50.000** MHz Nominal Frequency

**X:** -40 to + 85° C Extended Temperature Range

**15:** 15 pF Max HCMOS Output Load

**R:** Tape and Reel Packaging

### Notes:

- 1- Standard Duty Cycle and Temperature Range do not need to be included in Part Number description.
- 2- Product is shipped in Tape and Reel configuration. Each reel contains 1000 pieces.
- 3- Quantities less than 1000 are shipped bulk in ESD pouches.
- 4- Specification subject to change without notice.