



# ASO55C CMOS/ ASO55T TTL Compatible

5.0 Volt 5x3.2mm Surface Mount Ceramic  
Crystal Oscillator

## Applications:

- PCMCIA Card
- Notebook PC
- Portable PC
- HDD
- OA Terminal
- CCD
- Digital Camera
- Wireless LAN

## FEATURES

- Seam Seal
- Excellent Solderability
- Tri-State
- CMOS / TTL Compatible
- Low Power Consumption
- RoHS Compliant

## SPECIFICATION

| MODEL                |              | ASO55C             | ASO55T             |
|----------------------|--------------|--------------------|--------------------|
| Frequency Range      | MHz          | 0.500 ~ 100.000    |                    |
| Frequency Stability* | ppm          | ±20 ~ ±100         |                    |
| Temperature Range    |              |                    |                    |
| Operating Temp       | °C           | -10 to +70         | -10 to +70         |
| Storage Temp         | °C           | -55 to +125        | -55 to +125        |
| Power Supply Voltage | VDC          | +5.0 ± 10%         | +5.0 ± 10%         |
| Output Level         |              | CMOS               | TTL                |
| Output Symmetry      | %**          | 40~60 (at 50% VDD) | 40~60 (at 1.4 VDC) |
| Input Current        |              |                    |                    |
| 0.5~9.99MHz          | mA<br>(Max.) | 10                 | 15                 |
| 10~19.99MHz          |              | 15                 | 20                 |
| 20~31.99MHz          |              | 25                 | 30                 |
| 32~49.99MHz          |              | 35                 | 40                 |
| 50~79.99MHz          |              | 50                 | 50                 |
| 80~99.99MHz          |              | 60                 | 60                 |
| 100~156MHz           |              | 80                 | 80                 |
| Rise / Fall Time     |              |                    |                    |
| 0.5~31.99MHz         | nS<br>(Max.) | 10                 | 10                 |
| 32~49.99MHz          |              | 6                  | 5                  |
| 50~79.99MHz          |              | 5                  | 5                  |
| 80~99.99MHz          |              | 5                  | 5                  |
| 100~156MHz           |              | 4                  | 4                  |
| Output Load          |              | 15pF (50pF)        | 10 TTL             |
| Aging                | ppm/Year     | ±3                 | ±3                 |

\* Inclusive of 25°C ± 3°C & Operating Temperature Range.

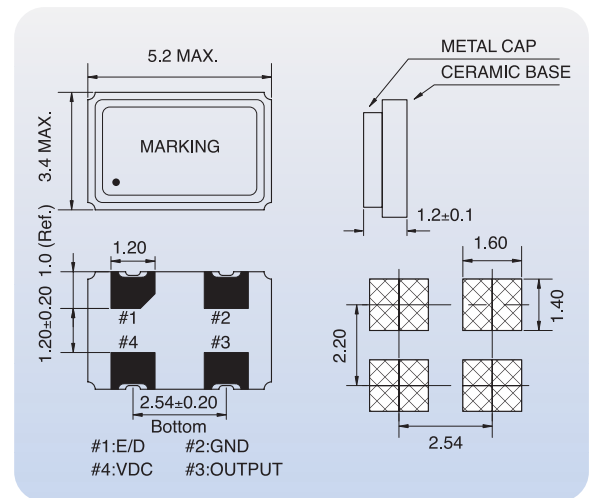
\*\* Symmetry of 45~55% is available.

## PART NUMBERING GUIDE

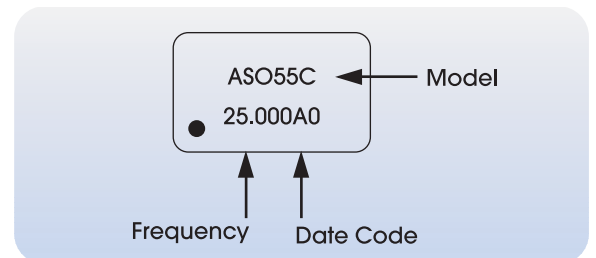
Example: ASO55C-25M-F2T

| MODEL  | Frequency | Stability  | OP Temp Range    | Tristate        |
|--------|-----------|------------|------------------|-----------------|
| ASO55C | In MHZ    | C: ±20ppm  | 1: 0 to +70°C    | T: Tristate     |
| ASO55T |           | D: ±25ppm  | 2: -10 to +70°C  | N: Non-Tristate |
|        |           | E: ±30ppm  | 3: -20 to +70°C  |                 |
|        |           | F: ±50ppm  | 4: -20 to +80°C  |                 |
|        |           | G: ±100ppm | 5: -40 to +85°C  |                 |
|        |           | O: Others  | 6: -40 to +105°C |                 |
|        |           |            | 0: Others        |                 |

## DIMENSION (mm)



## MARKING RULE



## ENABLE / DISABLE FUNCTION

| INH ( # 1 ) | OUTPUT ( # 3 ) |
|-------------|----------------|
| HIGH (Open) | Operating      |
| Low         | High impedance |