



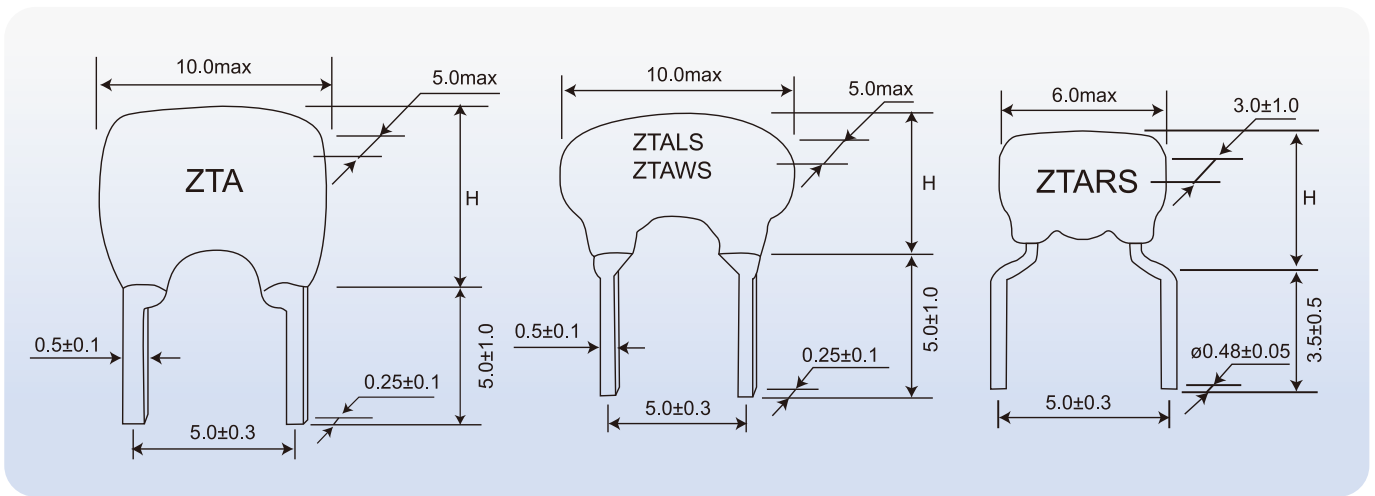
Ceramic Resonator

None capacitor, ZTA Series

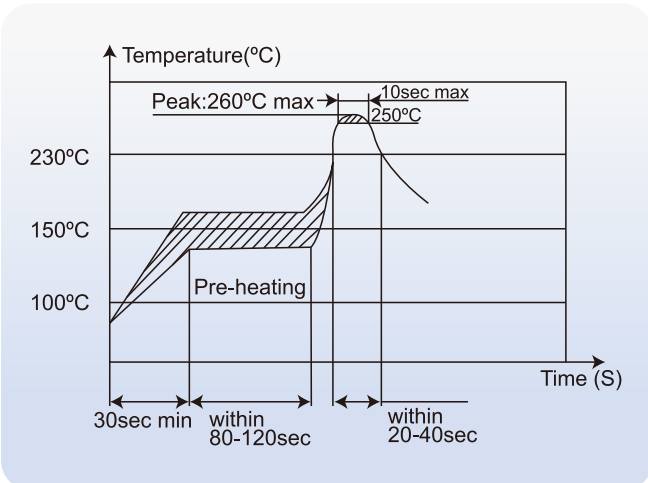
SPECIFICATION

MODEL		ZTA MG	ZTA MT	ZTA MX	ZTAW5 MG	ZTALS MG	ZTARS MG
Nominal Frequency	MHz	1.79-6.00	6.00-13.00	12.00-60.00	1.79-6.00	3.00-8.00	3.00-10.00
Frequency Tolerance (25 °C)	%	±0.5					
Frequency Stability (-20~+80°C)	%	±0.3					
Operating Temperature Range	°C	-20 to +80					
Storage Temperature Range	°C	-55 to +85					
Aging for 10 years	%	±0.3					
Test Circuit for MOS IC	MG Series	1/6TC4069UBP x2					
	MT Series	1/6TC4069UBP x2					
	MX Series	1/6TC74HCU04 x2					
External capacitance C1, C2	1.79~20.00MHz	30pF					
	20.01~25.99MHz	15pF					
	26.00~60.00MHz	5pF					
Height (H) Max.	mm	7.5	10.0	12.00~23.99MHz: 10.0mm 24.00~31.99MHz: 7.5mm 32.00~60.00MHz: 6.5mm	5.5	5.5	6.0

Dimension



Soldering Reflow Profile



Test Circuit for MOS IC

