

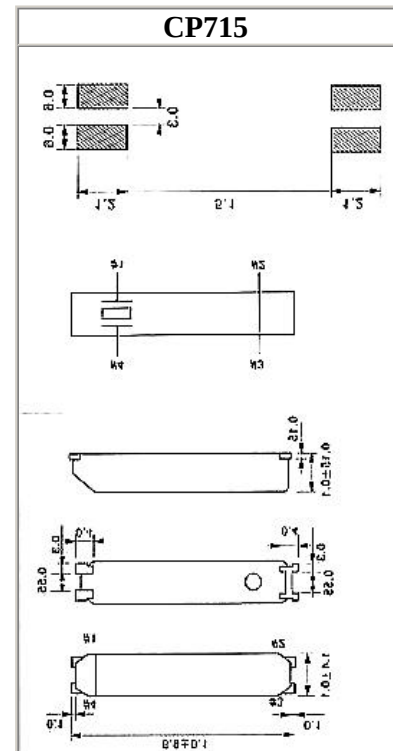


Part Number: CP715Z-A2C5-32.768KD12.5

Series: CP715

Description: SMD Plastic Watch Crystal 6.9x1.4x0.15 mm

DESCRIPTION	MIN	TYPICAL	MAX	U/M
Frequency		32.768000		KHz
Operating temperature range	-40		+85	°C
Tolerance @ 25°C	-20		+20	PPM
Load capacitance		12.5		pf
Resistance		65 K		ohms
Temperature Coefficient		-(0.034 ± 0.006)		PPM /°C ²
Shunt Cap			1.2	pF
Maximum aging rate	-3		3	PPM/Yr
Maximum drive level			0.001	mw
Storage temperature	-40		+85	°C
Markings	.			
Lead Time	5 weeks			



*Pb in high temperature solder (exempt per RoHS 2002/95/EC Annex (7)) and suitable for RoHS compliant reflow

Preliminary

