

5 X 7 TCX0

• Industry standard footprint

Series **CTX7**



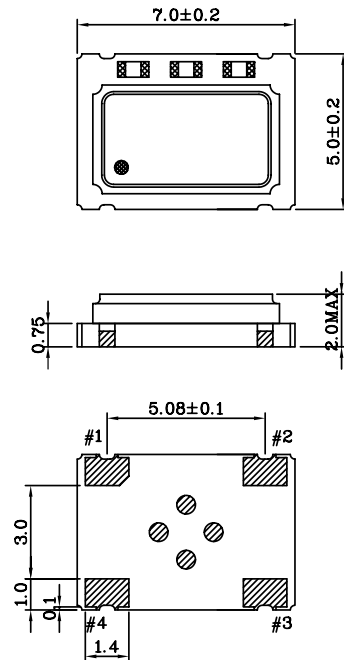
Part Numbering Example: CTX7LZ - A3 B3 - 15.360

CTX7	L	Z	A3	B3	15.360
SERIES	VOLTAGE	PACKAGING OPTIONS	OPERATING TEMP.	STABILITY	FREQUENCY
CTX7	Blank = +5.0 V ±5% L = +3.3 V ±5%	Z = Tape and Reel	A1=-10°C ~ +50°C A2=-10°C ~ +60°C A3=-30°C ~ +75°C A4=-40°C ~ +75°C	B1 = ±5.0 ppm B2 = ±3.0 ppm B3 = ±2.5 ppm	

Specifications:

Frequency Range:	9.600 MHz to 32.000 MHz
Available Stability Options:	±5.0 ppm ±3.0 ppm ±2.5 ppm
Output Series:	Clipped Sine
Input Voltage:	+5.0 VDC ±5% +3.3 VDC ±5%
Operating Temperature Range Options:	-10°C to +50°C -10°C to +60°C -30°C to +75°C -40°C to +75°C
Output Voltage:	1.0 Volt Peak to Peak Minimum
Frequency Trim Range With Externally Adjustable Trimmer:	± 3.0 ppm Minimum
Output Load:	10K OHM Parallel with 10 pf
Maximum Input Current:	2.0 mA
Maximum Frequency Aging at +25°C:	±1 ppm/yr
Freq. Stability Vs. Change of Input Voltage of ±5%:	±0.3 ppm
Packaging:	Tape and Reel (1K per Reel)

CTX7



PIN CONNECTION
 #1 V.C or N.C
 #2 GND
 #3 OutPut
 #4 Vcc

Recommended soldering pattern

