

Ceramic Surface Mount Crystal

- Small overall package dimensions
- Available in both 2 & 4 pads

Series CX532



Part Numbering Example: CX532 Z - A1 B2 C2 150 - 10.0 D16 - 3

CX532	Z	A1*	B2	C2	150	10.0	D16	-3
SERIES	ADDED FEATURES	OPERATING TEMP.	STABILITY	TOLERANCE	RESISTANCE	FREQUENCY	LOAD CAP.	OVERTONE
CX532	BLANK = BULK PACK Z = TAPE AND REEL	A0 = -10°C ~ +60°C A1 = -10°C ~ +70°C A2 = -40°C ~ +85°C A3 = -55°C ~ +125°C	B1 = ±100 B2 = ± 50 B3 = ± 30 B4 = ± 10	C1 = ±100 C2 = ± 50 C3 = ± 30 C4 = ± 10	SEE CHART BELOW		D16,18,20,ETC. DS = SERIES	BLANK: FUND. -3: 3rd OT -5: 5th OT -7: 7th OT -BT: BT Cut

**NOTE: The above ABC combinations cover basic specification options. We tailor our crystal specifications to meet customer requirements. Please contact our sales department if you don't see exactly what you need.*

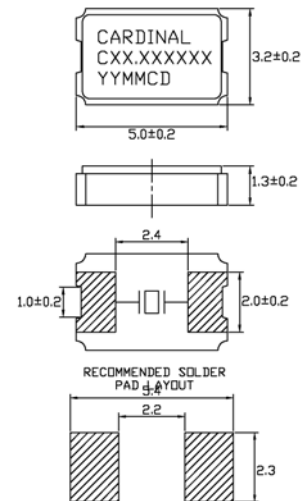
Specifications:

Frequency Range:	10.000 ~ 45.000 MHz	<i>(Fundamental)</i>
Operating Temperature:	-10°C ~ +60°C	<i>Standard</i>
Frequency Stability:	±100 ppm ± 50 ppm ± 30 ppm	<i>Standard</i>
Frequency Tolerance: <i>(at 25°C)</i>	±100 ppm ± 50 ppm ± 30 ppm	<i>Standard</i>
Load Capacitance:	Standard 16, 18 pF or series. Other values are available.	
Resistance:	Maximum resistance corresponds to frequency. See chart below.	
Standard:	Mode: Fundamental or 3rd Overtone Shunt Capacitance: 7 pF Max Aging: ± 5 ppm/year Drive Level: 100 µW Max	
Option:	Packaging: Tape and Reel	

Resistance Chart: All resistances are maximum

EQUIVALENT SERIES RESISTANCE (ESR), MODE OF OPERATION (MODE)		
Frequency MHz	ESR (Ω)	Oscillation Mode
10.0 ~ 11.999	150	Fundamental
12.0 ~ 15.999	100	Fundamental
16.0 ~ 29.999	70	Fundamental
30.0 ~ 45.000	50	Fundamental

CX532



CX532A

