

**Through Hole Ceramic Resonator  
Low Frequency**

SERIES **CZTB**

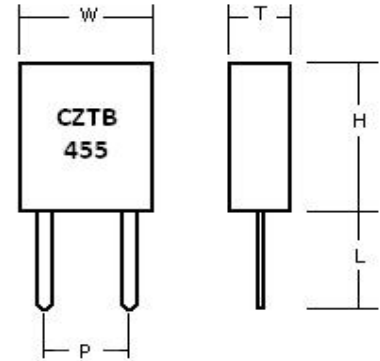
**Part Numbering Example: CZTB - AW - 3 - 5 - 0.455**

<b>CZTB</b>	<b>AW</b>	<b>3</b>	<b>5</b>	<b>0.455</b>	
SERIES	ADDED FEATURES	OPERATING TEMP.	STABILITY (PPM)	TOLERANCE (PPM)	FREQUENCY (MHZ)
CZTB	Blank = Bilk Pac Z = Tape and Reel	A2 = -40 to +85 °C AW = -20 to +85 °C	3 = ± 3.000	3 = ± 3.000 5 = ± 5.000	In put frequency 3 digits after dot.

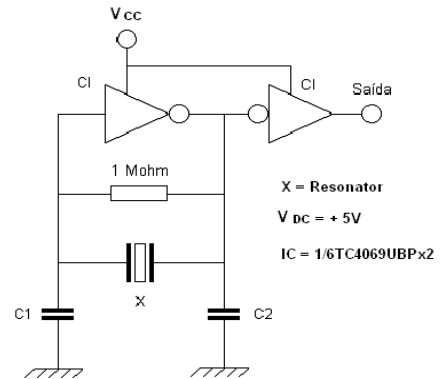
**Specifications**

Frequency Range	0.190 to 1.250 MHz
Frequency Stability	± 3.000 PPM
Frequency Tolerance at 25 °C	± 5.000 PPM
Operating Temperature Range	-40 to +85 °C -20 to +85 °C
Resonator Resitance	0.190 to 0.509MHz = 20 Ω 0.510 to 0.699 MHz = 30 Ω 0.700 to 0.999 MHz = 70 Ω 1.000 to 1.250 MHz = 100 Ω
Insulator Resistance Min.	to 100 VDC = 500 M
Recommended Capacitors Test Circuit Samples	0.190 to 0.249 MHz = C1 = 330 pF;C2 = 470 pF 0.250 to 0.374 MHz = C1 = 220 pF;C2 = 470 pF 0.375 to 0.400 MHz = C1 = 120 pF;C2 = 470 pF 0.401 to 1.250 MHz = C1 = C2 = 100 pF
Drive Level Max.	1000 μW
Aging at 25 / ano	± 3.000 PPM

**CZTB**



Dimensions in mm



Frequency Range (KHz)	Dimensions				
	W	T	H	P	L
190 ~ 249	13.5	3.6	14.7	10.0	8.0
250 ~ 374	11.0	3.6	12.2	7.7	7.0
375 ~ 429	7.9	3.6	9.3	5.0	6.0
430 ~ 699	7.0	3.5	9.0	5.0	6.0
700 ~ 1250	5.1	2.2	6.3	2.5	4.0

