

CCO-030S & 030 Models

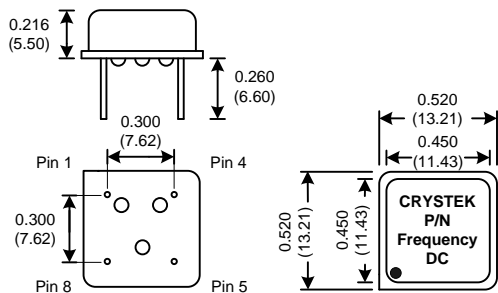
8 & 14 Pin Dip, **3.3V, HCMOS**

Frequency Range:	1.544 MHz to 156.250 MHz
Frequency Stability:	±20ppm to ±100ppm
Temperature Range:	
Operating:	0°C to 70°C
(Option M)	-20°C to 70°C
(Option X)	-40°C to 85°C
Storage:	-45°C to 90°C
Input Voltage:	3.3V ±0.3V
Input Current:	10-60mA (freq. dependent)
Output:	HCMOS
Symmetry:	45/55% Max @ 50% Vdd
Rise/Fall Time:	4ns Typ, 10ns Max (1.544-79 MHz)
	1.5ns Typ, 3ns Max (80-156.250 MHz)
Logic:	"0" = 10% Vdd Max
	"1" = 90% Vdd Min
Load:	15pF Max
(Option H)	30pF Max (up to 80 MHz)

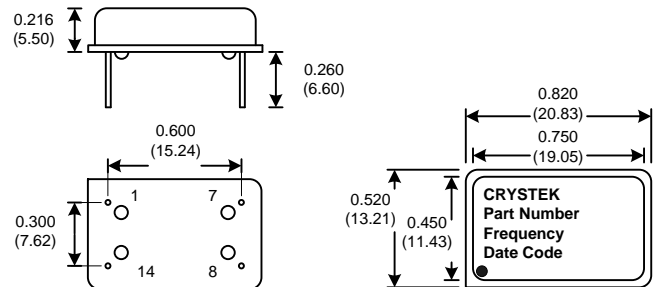


Designed to provide a low cost solution to a broad base of frequency timing applications.

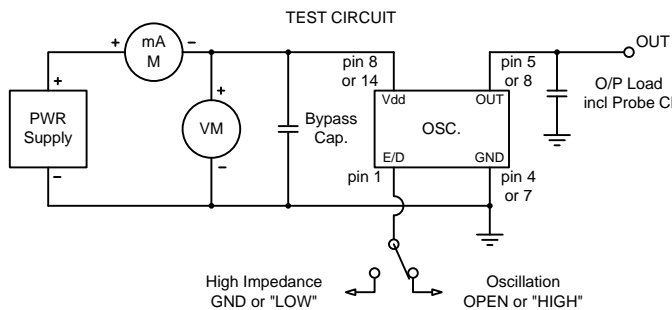
CCO-030S



CCO-030



Dimensions inches (mm)
All dimensions are Max unless otherwise specified.



Tri-State Function	
Function pin 1	Output pin
Open	Active
"1" level 2.4V Min	Active
"0" level 0.4V Max	High Z

Crystek Part Number Guide

CCO-030 T X H- 25 - 49.152

#1 #2 #3 #4 #5 #6 #7

#1 Crystek Clock Osc.
 #2 Model (030 or 030S)
 #3 Tristate: Blank= no Tristate, T= Tristate
 #4 Temp. Range: Blank= 0/70°C, M= -20/70°C, X= -40/85°C
 #5 Load: Blank= standard, H= 30pF
 #7 Stability: (see Table 1)
 #8 Frequency in MHz: 3 or 6 decimal places

Stability Indicator:	0/70	-40/85
	-20/70	
Blank (std)	± 100ppm	**
50	± 50ppm	**
25	± 25ppm	**
20	± 20ppm	**

Table 1

Example:

CCO-030TX-25-25.000 = (full size) 3.3V Tristate, -40/85°C, 45/55, 25ppm, 25.000 MHz
 CCO-030ST-50-19.660800 = (half size) 3.3V Tristate, 0/70, 45/55, 50ppm, 19.660800 MHz

Specifications subject to change without notice.

TD-02076 Rev. L