

The ECS-DR2 Series are 2-port 180° SAW (Surface Acoustic Wave) resonators in a thru-hole TO39-3A package. They offer a fundamental mode, quartz frequency and are ideal for remote control and wireless security transmitters.

Request a Sample

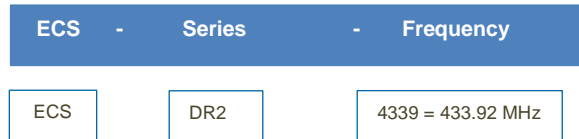
OPERATING CONDITIONS / ELECTRICAL CHARACTERISTICS



Parameters	Symbol/Notes	DR2-3100	DR2-3150	DR2-4073	DR2-4180	DR2-4339	Units
Center Frequency	F ₀	310.0±0.1	315.0±0.075	407.3±0.1	418.0±0.075	433.92±0.075	MHz
Insertion Loss	IL	10.0	10.0	10.0	10.0	10.0	dB Max.
Unloaded Q		12,000	12,000	12,000	12,000	12,000	
50 Ohms Loaded Q		7,000	7,000	5,500	5,500	5,500	
Turnover Temperature		15/45	15/45	15/45	15/45	15/45	°C
Freq. Temp. Coefficient	FTC	0.037	0.037	0.037	0.037	0.037	ppm/°C
Frequency Aging		< ±10	< ±10	< ±10	< ±10	< ±10	ppm/year
DC Insulation Resistance	Between any 2 pins	>1	>1	>1	>1	>1	MΩ
Max. DC Voltage	Between any 2 pins	10	10	10	10	30	VDC
Pin 1-to-2 Static Capacitance		1.4 ±0.3	1.4 ±0.3	1.4 ±0.3	1.4 ±0.3	1.3 ±0.3	pF
Operating Temperature	T _{OPR}	-40 ~ +85	-40 ~ +85	-40 ~ +85	-40 ~ +85	-40 ~ +85	°C
Storage Temperature	T _{STG}	-40 ~ +85	-40 ~ +85	-40 ~ +85	-40 ~ +85	-40 ~ +85	°C
Case		TO-39-3A	TO-39-3A	TO-39-3A	TO-39-3A	TO-39-3A	

- Quartz stability
- 180° Nominal insertion phase at resonance
- Ideal for wireless security and remote control applications
- PbFree/RoHS Compliant

Part Numbering Guide: Example ECS-DR2-4339



Package Dimensions (mm)

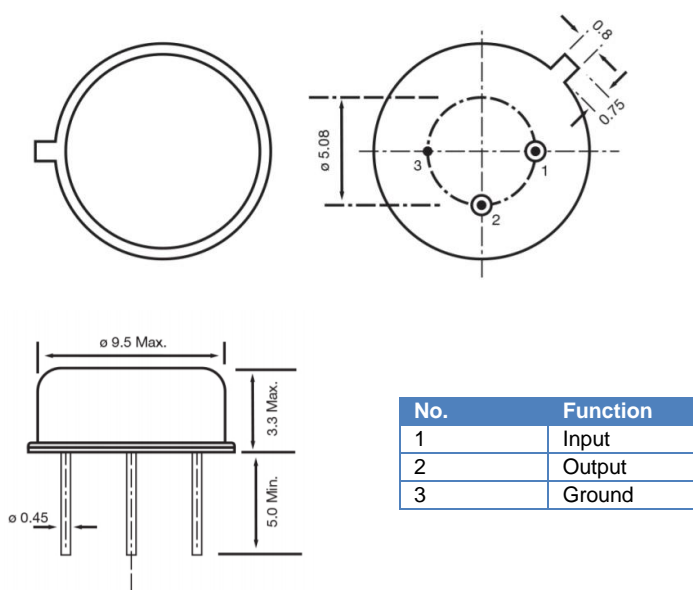


Figure 1) Top, Side, and Bottom Views

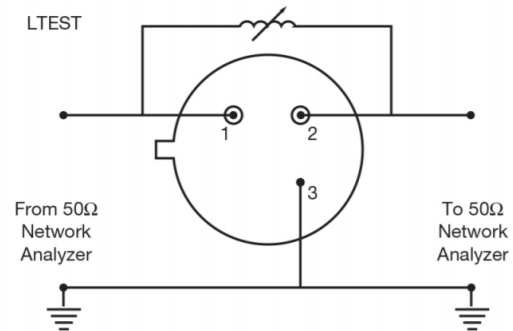


Figure 2) Test Circuit