

EUROQUARTZ GROUP OBSOLESCENCE NOTIFICATION

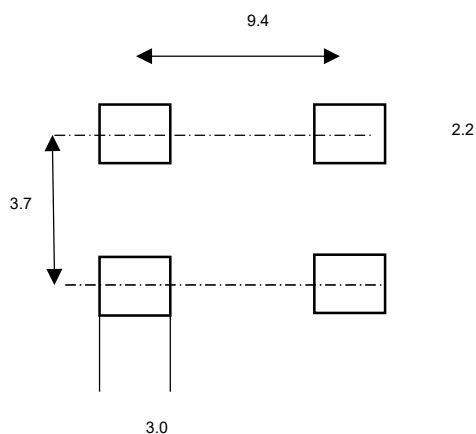
SUMMARY				
PRODUCT CODE	86SMX(LPN)	ADVICE NUMBER	000040	
SPECIFICATION	Smd Crystals			
REASON FOR OBSOLESCENCE	The tooling for this part is reaching EOL.			
CUSTOMER	All			
Raised By	Andy Treble	Date Raised	19 th July 2018	Amended
Authorised By	Andy Treble – Quality Manager	Telephone	01460 230000	

DETAILS OF OBSOLESCENCE

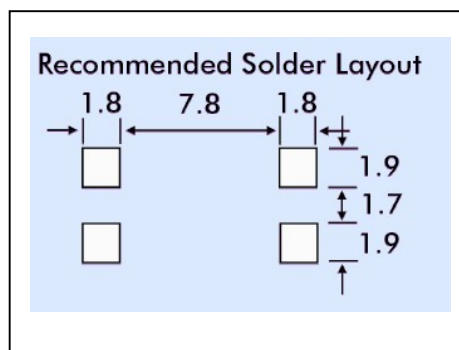
The above ranges of product have been obsoleted due to the mould tooling reaching EOL and will not be renewed.

ALTERNATIVE PARTS

The 86SMX(LPN) series Pad Footprint




MP4/MP5



A drop in replacement would be the MP4/MP5 series which are MSL1 rated. And lower cost

LAST TIME BUY DETAILS

Last time purchase orders will be accepted is 30th September 2018

Authorised Signature		Date	19 th July 2018
-----------------------------	---	-------------	----------------------------

- Frequency range 3.5MHz to 70.0MHz
- Fully RoHS compliant
- Industry-standard package
- Standard EIA tape and reel supply



DESCRIPTION

86SMX crystals were among the first surface mount crystal designs available in the industry. As a result the package is widely used. Supply on 24mm EIA tape and reel is standard.

SPECIFICATION

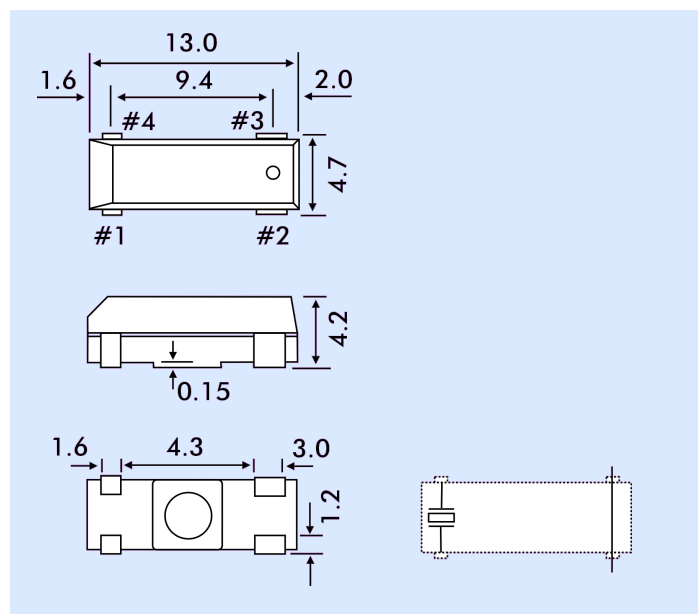
Frequency Range	
AT-Cut Fundamental:	3.5MHz to 30.0MHz
AT-Cut 3rd Overtone:	30.1MHz to 70.0MHz
BT-Cut Fundamental:	25.0MHz to 40.0MHz
Calibration Tolerance at 25°C*:	±50ppm at 25°C
Frequency Stability over Temperature*	
AT-Cut:	±50ppm over -10° to +60°C
BT-Cut:	±100ppm over -10° to +60°C
Storage Temperature:	-40°~+85°C
Equivalent Series Resistance:	See table
Shunt Capacitance (C0):	7pF maximum
Load Capacitance (CL):	Series or from 8pF to 32pF (Customer specified CL)
Ageing:	±3ppm per year at +25°C
Drive level:	100µW maximum
Reflow Soldering:	10s maximum at 260°C twice or 180s at 230°C, once.
Crystal Holder:	Moulded plastic
Packaging:	24mm EIA tape and reel, 1k per reel.

Note: Tighter calibration tolerance and operating temperature range parts may be available, check with Euroquartz sales.

EQUIVALENT SERIES RESISTANCE / OSCILLATION MODE

Frequency Range MHz	Crystal Cut/ Osc. Mode	ESR (Ω) Max.
3.5 ~ 3.99	AT Fund	200
4.0 ~ 4.99	AT Fund	150
5.0 ~ 5.99	AT Fund	120
6.0 ~ 6.99	AT Fund	100
7.0 ~ 7.99	AT Fund	80
8.0 ~ 12.9	AT Fund	60
13.0 ~ 30.0	AT Fund	40
25.1 ~ 45.0	BT Fund	40
30.0 ~ 70.0	AT 3rd OT	100

OUTLINE & DIMENSIONS



PART NUMBER GENERATION

Part numbers for 86SMX crystals are generated as follows:

