

FEATURES

- Sine Wave output VCXO
- Output 0dBm into 50Ω load, higher output available
- Harmonics < 20dBc
- Low current consumption

DESCRIPTION

GS14 sine wave VCXOs provide a true sine wave out output. The VCXOs are packaged in the industry-standard 14 pin dual-in-line package. The VCXO is produced to close tolerances and has low current consumption.

SPECIFICATION

Frequency Range:	10.0MHz to 156.0MHz
Input Voltage:	+3.3±5% or +5.0VDC ±5%
Frequency Stability:	See table
Control Voltage Centre:	+1.65 VDC
Initial Frequency Accuracy:	±15ppm with Control V at +1.65VDC
Control Voltage Range:	+0.3V to +3.0VDC
Frequency Deviation Range:	±80ppm typical*
Output Wave Form:	True Sine Wave
Output Level:	0dBm into 50Ω load**
Harmonics:	< -20dBc
Phase Noise:	-140dBc/Hz at 10kHz offset
Current Consumption:	See table
Start-up Time:	6.0ms typical
Storage Temperature:	-50° to +100°C
Sub-Harmonics:	None
Ageing:	±5ppm per year maximum
Enable/Disable:	Not implemented - 4 pin package
RoHS Status:	Fully compliant or non-compliant

* Wider pulling range available

** Higher output <5dBm available

FREQUENCY STABILITY

Stability Code	Stability ±ppm	Temp. Range
A	25	0°~+70°C
B	50	0°~+70°C
C	100	0°~+70°C
D	25	-40°~+85°C
E	50	-40°~+85°C
F	100	-40°~+85°C

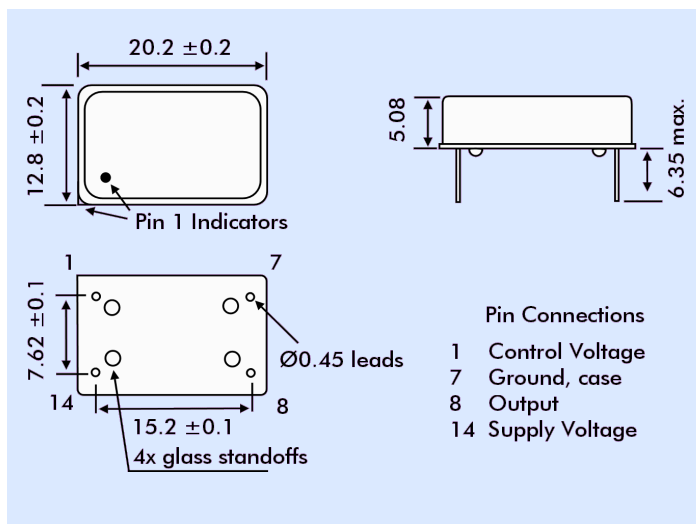
If non-standard frequency stability is required
Use 'I' followed by stability, i.e. I20 for ±20ppm

CURRENT CONSUMPTION

Frequency	Supply Voltage (±5%)	
	+3.3V	+5.0V
10MHz	9mA	18mA
100MHz	18mA	34mA
150MHz	19mA	36mA



OUTLINE & DIMENSIONS



PART NUMBERING

