

- Low cost SMD crystal for mass-market applications
- High shock resistance
- Low power consumption
- Tape and reel packaging



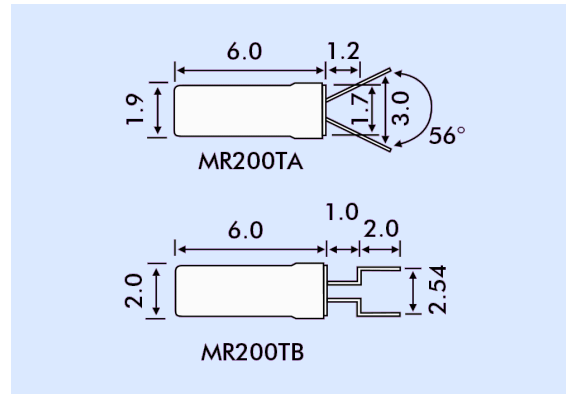
DESCRIPTION

2x6 SMD crystals are available with two different lead configurations. The crystals have good shock resistance and minimal power consumption. A good quality, low-cost crystal.

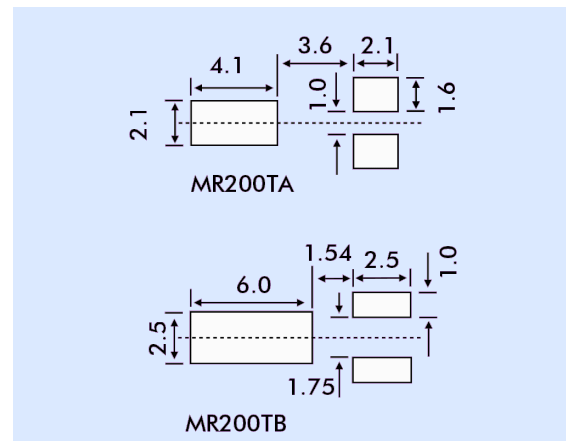
SPECIFICATION

Nominal Frequency:	32.7680kHz
Calibration Tolerance:	±20ppm m@25°C
Frequency Stability	Parabolic -0.034±0.006ppm/°C ²
Turnover Temperature:	25±5°C
Operating Temperature Range:	-40° to +85°C
Storage Temperature Range:	-55° to +125°C
Equivalent Series Resistance:	35kΩ maximum
Load Capacitance (CL):	12.5pF or 6pF
Motional Capacitance (C1):	0.003pF typical
Shunt Capacitance (C0):	1.35pF typical
Capacitance Ratio:	150 typical
Drive Level:	1μW maximum
Insulation Resistance:	500MΩ maximum
Ageing:	±3ppm/year maximum
Sealing:	1x10 ⁻⁶ μPa.m ³ /s maximum
Shock Resistance:	±5ppm maximum, 3000g x 0.3m/s ½ sine, 3 planes
Soldering Temperature:	240°C for 7 seconds maximum

OUTLINE & DIMENSIONS



SOLDER PAD LAYOUT



EUROQUARTZ STOCK NUMBERS

Frequency (kHz)	CL (pF)	Stock Number	Specification	Package Style
32.7680	12.5	PH32768A	20/-/-/12.5pF	MR200TB
32.7680	12.5	PH32768B	15/-/-/12.5pF	MR200TB
32.7680	6	PH32768C	20/-/-/6pF	MR200TB

STABILITY OVER TEMPERATURE X-Cut Crystal

