

- Frequency range 30.0kHz to 100.0kHz
- Industry-standard package
- Compact and low-profile
- Supplied on EIA tape and reel



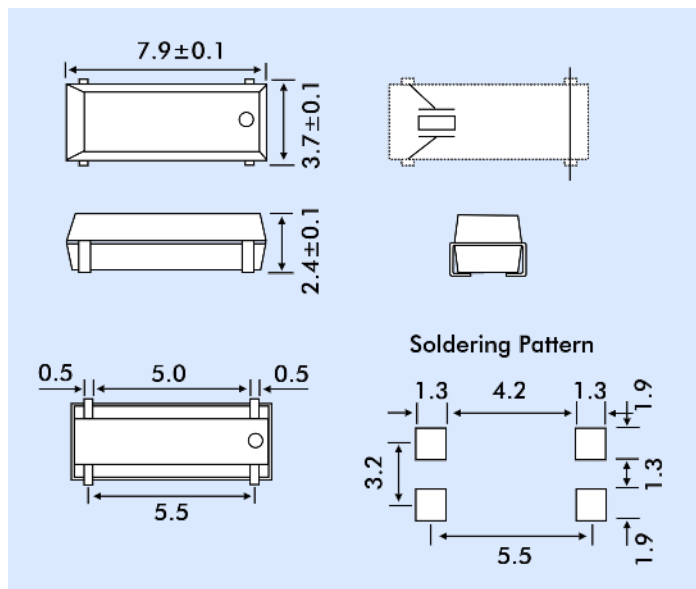
### DESCRIPTION

95SMX(G) crystals are miniature surface-mount crystals specifically designed to provide a low-cost and reliable source of real time clock frequency, 32.768kHz for mass-market applications, and also frequencies in the range 30kHz to 100kHz. The parts are low-profile, and of low mass. The package is encapsulated in epoxy resin.

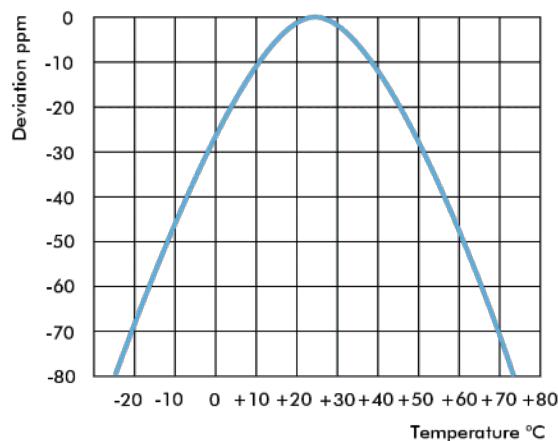
### SPECIFICATION

Nominal Frequency:	32.7680kHz and 30.000kHz to 100.000kHz
Calibration Tolerance at 25°C:	±20 ppm, ±30 ppm, ±50 ppm (std.) and ±100 ppm
Load Capacitance (CL):	12.5pF typical
Equivalent Series Resistance (ESR):	50kΩ max.
Drive level:	1.0 μW max.
Turnover Temperature:	+25°±5°C
Temperature Coefficient:	-0.034/°C <sup>2</sup> (Parabolic function)
Q:	50,000 minimum
Shunt Capacitance:	0.8 to 1.7pF
Motional Capacitance:	0.001 to 0.004pF
Capacitance Ratio:	330 to 800
Ageing (first year):	±5ppm max. at 25° ±3°C
Insulation Resistance:	500MΩ minimum @100VDC
Crystal Cut:	XY-Cut
Operating Temperature Range:	-40° to +85°C
Storage Temperature Range:	-55° to +125°C
Shock Resistance:	±5 ppm max.
Vibration Resistance:	±5 ppm max.
IR Reflow Resistance:	±10ppm max.
Reflow Condition:	10 seconds max. at 250° ±10°C
Package	
Outer Package:	Plastic
Sealing:	Press fit (2x6mm built-in)
Terminal Lead Frame:	Copper Alloy (CuSN)
Terminal Plating:	SnCu
Delivery Format:	EIA tape and reel, 3k pieces/reel
RoHS Status:	Compliant

### OUTLINE & DIMENSIONS



### STABILITY OVER TEMPERATURE XY-Cut Crystal



### PART NUMBER AND SPECIFICATION

