

Miniature SMD Crystal for Pierce Oscillators 10kHz to 600kHz

FEATURES

- Frequency Range 10kHz to 600kHz
- High shock resistance
- Low ageing
- Designed for low power applications
- Full MIL testing available

DESCRIPTION

CX1VSM crystals consist of a high quality tuning fork resonator in a rugged, hermetically sealed ceramic package. CX1VSM is intended for use in Pierce (single inverter) oscillator circuits.

SPECIFICATION

Specifications stated are typical at 25°C unless otherwise indicated. Specifications may change without notice.

Frequency Range:	10.0kHz to 600.0kHz
Standard Calibration Tolerance*:	see table
Motional Resistance (R ₁):	Figure 1 Max = 10~169.9kHz, 2x typical 170~600kHz, 2.5x typical
Motional Capacitance (C ₁):	Figure 2
Quality Factor (Q):	Figure 3 Min. is 0.25x typical
Shunt Capacitance (C ₀):	2.0pF max.
Drive Level	
10~24.9kHz:	0.5μW max.
25~600.0kHz:	1.0μW max.
Turning Point (T ₀)**:	Figure 4
Temperature Coefficient (k):	-0.035ppm/°C ²
Ageing, first year:	5ppm max.
Shock, survival***:	1,000g, 1ms, ½ sine
Vibration, survival***:	20g rms, 10~2000Hz
Operating Temperature Range	
Commercial:	-10° to +70°C
Industrial:	-40° to +85°C
Military:	-55 to +125°C
Storage Temperature Range:	-55° to +125°C
Maximum Process Temperature:	+260°C for 20 seconds

* Tighter frequency calibration is available.

** Other turning point is available

*** Higher shock and vibration survival is available

PACKAGING OPTIONS

CX1VSM crystals are available either tray packed (<250pcs) or tape and reel (>250 pieces).

16mm tape, 178mm or 330mm reels (EIA 418).

HOW TO ORDER CX1VSM CRYSTALS

CX1V - S - C - SM1 - 32.768K 30 / I

'S' if special, custom design. Otherwise leave blank

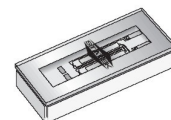
Blank = glass lid
C = ceramic lid

Terminations
SM1 = Gold plated *
SM2 = Solder plated
SM3 = Solder dipped
SM4 = Solder plated *
SM5 = Solder dipped *
* = Lead free

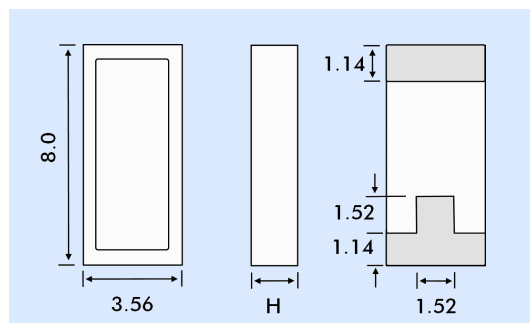
Frequency
K = kHz

Calibration
Tolerance
@25°C
(in ppm)

Temp. Range
C = -10° ~ +70°C
I = -40° ~ +85°C
M = -55° ~ +125°C
S = Customer specified



OUTLINE & DIMENSIONS



DIMENSION 'H'

Terminations	Glass Lid	Ceramic Lid
SM1	1.65	1.78
SM2/SM4	1.70	1.83
SM3/SM5	1.78	1.90

STANDARD CALIBRATION TOLERANCE

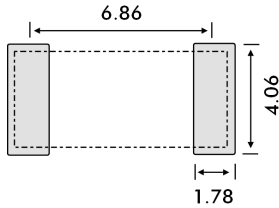
Frequency Range (kHz)			
16~74.9	75~169.9	170~249	250~600
±30ppm (0.003%)	±50ppm (0.005%)	±100ppm (0.01%)	±200ppm (0.02%)
±100ppm (0.01%)	±100ppm (0.01%)	±200ppm (0.02%)	±500ppm (0.05%)
±1000ppm (0.1%)	±1000ppm (0.1%)	±2000ppm (0.2%)	±5000ppm (0.5%)

LOAD CAPACITANCE (CL)*

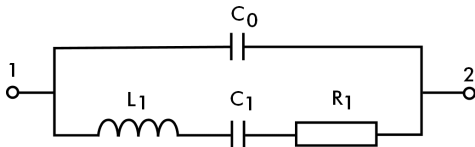
Frequency Range (kHz)	Load Capacitance	Frequency Range (kHz)	Load Capacitance
10~15.9	11pF	55~99.9	8pF
16~24.9	10pF	100~179.9	5pF
25~54.9	9pF	180~600	4pF

* The load capacitance we use to calibrate CX2VSM. (Other CL is available.)

SUGGESTED SOLDERING PATTERN

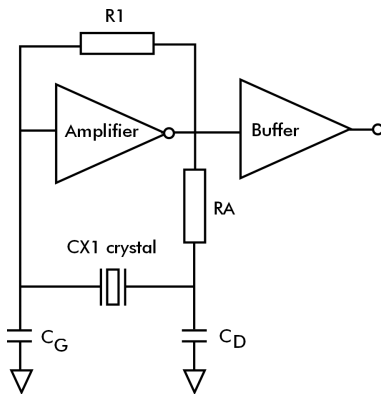


CRYSTAL EQUIVALENT CIRCUIT



R1 Motional Resistance L1 Motional Inductance
C1 Motional Capacitance C0 Shunt Capacitance

CONVENTIONAL CMOS PIERCE OSCILLATOR CIRCUIT



TERMINATIONS - PLATING

Designation	Termination
SM1	Gold Plated (Lead Free)
SM2	Solder Plated
SM3	Solder Dipped
SM4	Solder Plated (Lead Free)
SM5	Solder Dipped (Lead Free)

Turning Point Temperature

Note: Frequency f at temperature T is related to frequency F0 at turning point temperature To by:

$$\frac{f \cdot f_0}{f_0} = k(T - T_0)^2$$

FIGURE 1
CX1V Typical Motional Resistance R1

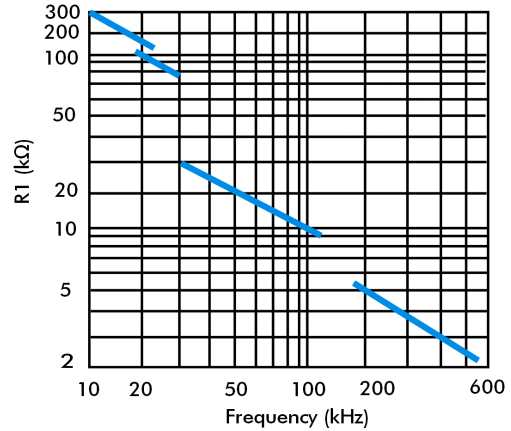


FIGURE 2
CX1V Typical Motional Capacitance C1

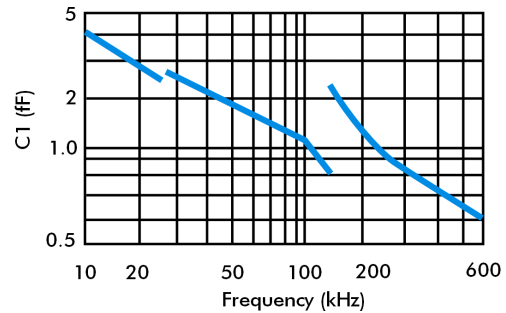


FIGURE 3
CX1V Typical Quality Factor (Q)

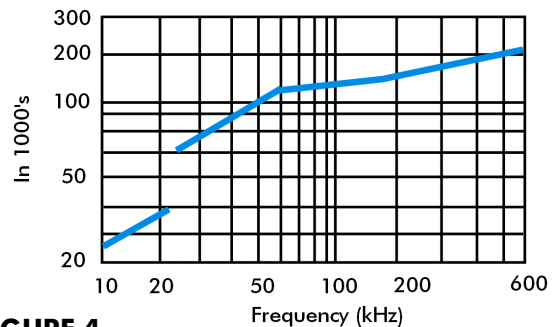


FIGURE 4
CX1V Typical Turning Point Temperature (To)

