

Resin Sealed SMD Crystal



Model: FQ3225B Series

RoHS Compliant / Pb Free

Rev. 5/5/2014

Page 1 of 2

http://www.foxonline.com/need_a_sample.htm

Need a Sample®

FEATURES

- Surface Mount Resin Sealed
- Low Cost
- Ultra Low Profile
- Fundamental
- Tape and Reel (3,000 pcs STD)

• PART NUMBER

Part Number	Model Number	Frequency Range (MHz)
820-Frequency-xxxxx	FQ3225B	12.000 ~ 50.000

• STANDARD SPECIFICATIONS¹

PARAMETERS	MAX (unless otherwise noted)
Frequency Range (Fo)	12.000 ~ 50.000 MHz
Frequency Tolerance @ 25°C	±50 PPM ¹
Frequency Stability, ref @ 25°C Over Operating Temp Range	±50 PPM ¹
Temperature Range	
Operating (TOPR)	-10°C ~ +70°C ¹
Storage (TSTG)	-55°C ~ +125°C
Shunt Capacitance (Co)	7 pF
Load Capacitance (CL)	7 pF ~ Series (Customer Specified)
Drive Level	0.1 mW
Aging per year	±5 PPM
Maximum Soldering Temp / Time	260°C / 10 Seconds
Moisture Sensitivity Level (MSL)	1
Termination Finish	Au

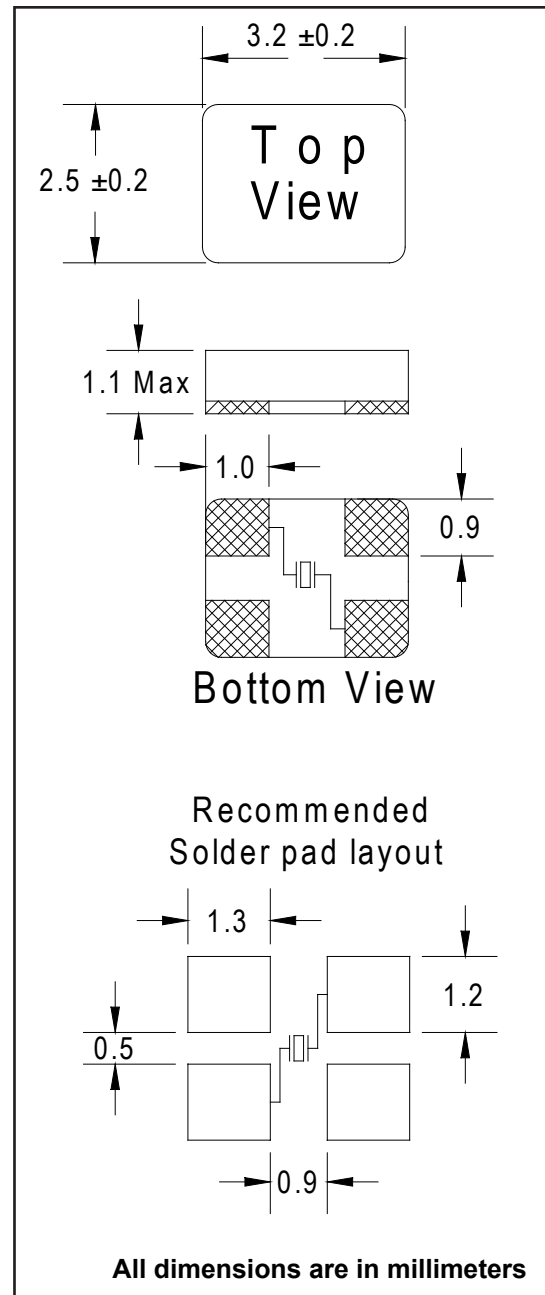
¹ Other tolerances, stabilities & operating temperature ranges available. Consult Fox Customer Service for specific requirements.

NOTE: The above specifications, having been carefully prepared and checked, is believed to be accurate at the time of publication; however, no responsibility is assumed by Fox Electronics for inaccuracies.

If you have any questions, please call Customer Support at 1-888-GET-2-FOX.

All specifications subject to change without notice.

Frequency Range (MHz)	Operating Mode	Max ESR Ω
12.000 ~ 15.999999	Fundamental	120
16.000 ~ 20.000	Fundamental	100
20.000+ ~ 25.000	Fundamental	80
25.000+ ~ 30.000	Fundamental	60
30.000+ ~ 50.000	Fundamental	50



Resin Sealed SMD Crystal



Model: FQ3225B Series

RoHS Compliant / Pb Free

Rev. 5/5/2014

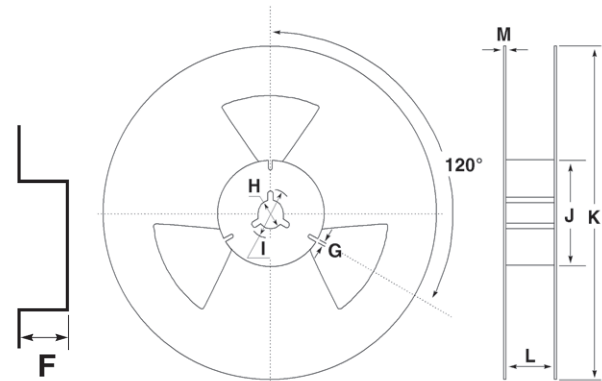
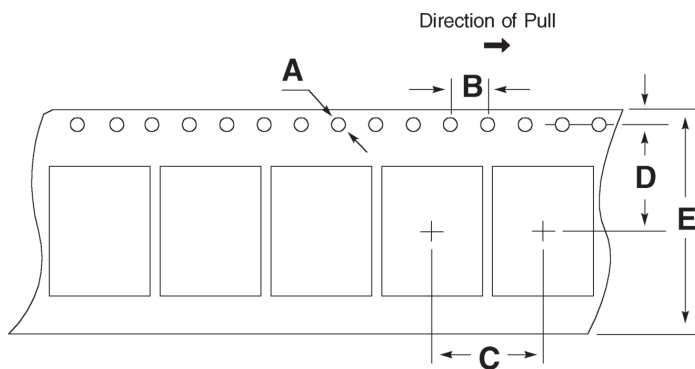
Page 2 of 2

http://www.foxonline.com/need_a_sample.htm



• TAPE SPECIFICATIONS (millimeters)							
MODEL	A	B	C	D	E	F	STD Reel QTY
FQ3225B	∅1.5	4.0	4.0	3.5	8.0	1.25	3,000

• REEL SPECIFICATIONS (millimeters)							
MODEL	G	H	I	J	K	L	M
FQ3225B	2.0	∅13	∅21	∅62	∅178	9.0	1.2



All specifications subject to change without notice.

• FQ3225B Standard Crystals					
Part Number	Frequency	Tolerance	Stability	Temp Range	CL
FQ3225B-12.000	12.000000	+/- 30 ppm	+/- 30 ppm	0 to +70 C	20pF
FQ3225B-16.000	16.000000	+/- 30 ppm	+/- 30 ppm	0 to +70 C	20pF
FQ3225B-20.000	20.000000	+/- 30 ppm	+/- 30 ppm	0 to +70 C	20pF
FQ3225B-24.000	24.000000	+/- 30 ppm	+/- 30 ppm	0 to +70 C	20pF
FQ3225B-25.000	25.000000	+/- 30 ppm	+/- 30 ppm	0 to +70 C	20pF
FQ3225BR-12.000	12.000000	+/- 50 ppm	+/- 50 ppm	-40 to +85 C	20pF
FQ3225BR-16.000	16.000000	+/- 50 ppm	+/- 50 ppm	-40 to +85 C	20pF
FQ3225BR-20.000	20.000000	+/- 50 ppm	+/- 50 ppm	-40 to +85 C	20pF
FQ3225BR-24.000	24.000000	+/- 50 ppm	+/- 50 ppm	-40 to +85 C	20pF
FQ3225BR-25.000	25.000000	+/- 50 ppm	+/- 50 ppm	-40 to +85 C	20pF