



FEATURES

- Low Cost
- Fundamental to 40 MHz
- Resin Sealed
- Tape and Reel (2,000 pcs. STD)

OPTIONS

- Tolerances to < 20 PPM
- Stabilities to < 20 PPM
- Temperatures to -40°C ~ +85°C



• PART NUMBER <a href="#">Learn More</a> - Internet Required		
Part Number	Model Number	Frequency Range (MHz)
257-Frequency-xxxxx	FQA	9.84375 ~ 67.000

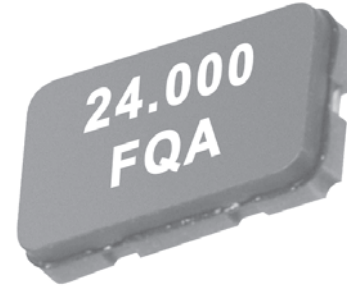
• STANDARD SPECIFICATIONS <sup>1</sup>	
PARAMETERS	MAX (unless otherwise noted)
Frequency Range	9.84375 ~ 67.000 MHz
Frequency Stability Over Operating Temp Range	±100 PPM <sup>2</sup>
Temperature Range	
Operating (TOPR)	-10°C ~ +60°C
Storage (TSTG)	-40°C ~ +85°C
Shunt Capacitance (Co)	7.0 pF
Load Capacitance (CL)	10 pF ~ Series (Customer Specified)
Drive Level	0.1 mW
Aging per year	±5 PPM

<sup>1</sup> Other stabilities & operating temperature ranges available. Consult Fox Customer Service for specific requirements.

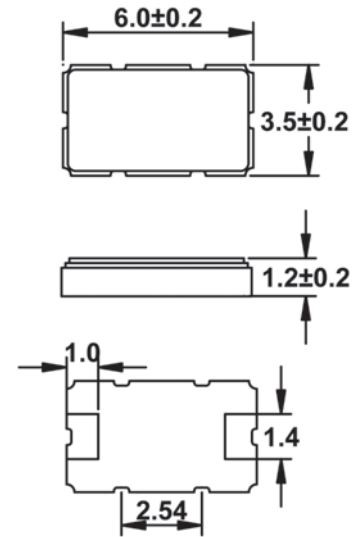
<sup>2</sup> Inclusive of tolerance at 25°C.

All specifications subject to change without notice. Rev. 6/1/04

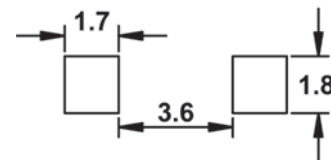
Frequency Range (MHz)	Operating Mode	Max ESR Ω
9.84375 ~ 12.000	Fundamental	80
12.000+ ~ 16.000	Fundamental	60
16.000+ ~ 40.000	Fundamental	40
40.000 ~ 67.000	3rd OT	70



Learn more about:  
[Part Marking Identification](#)  
[Tape and Reel Specification](#)  
Internet required



Recommended Solder Pad Layout



All dimensions are in millimeters.