



## SMAC-7050H



### FEATURES

- All ceramic epoxy sealed SMD package
- 2/4 pads version available
- Self-Material supply
- RoHS Compliant and Pb Free

### Electrical Specifications

Parameters	Symbol	Specifications
Nominal Frequency Range 标称频率范围	$f_0$	6.0MHz ~ 28.224MHz
Frequency Tolerance, Ta=25°C ± 3°C 常温频率偏差	$\Delta f/f$	±20ppm, ±30ppm
Load Capacitance 负载电容	$C_L$	18pF or specify
Frequency Tolerance over Operating Temperature Range 频率温度特性	$\Delta f/f$	±20ppm, ±30ppm or specify
Operating Temperature Range 工作温度	$T_{OPR}$	-20°C ~ +70°C, -20°C ~ +85°C or specify
Storage Temperature Range 储存温度	$T_{STG}$	-55°C ~ +125°C
Drive Level 激励功率	DL	100µW Typ.
Shunt Capacitance 静态电容	$C_0$	7pF Max.
Insulation Resistance 绝缘电阻	IR	500MΩ Min.
Aging 老化率	$\Delta f_A$	±5ppm/Year Max.

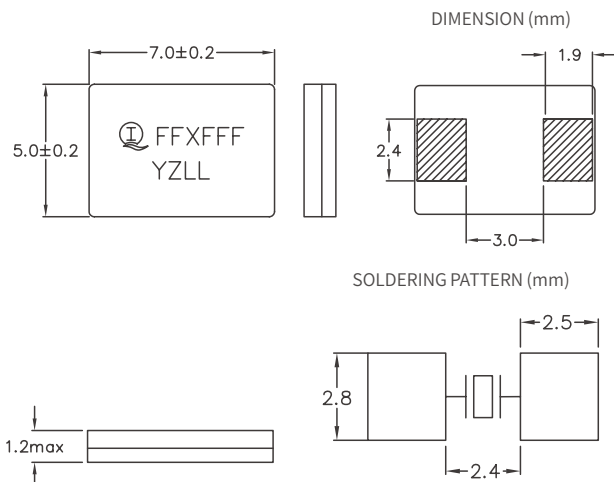
### Equivalent Series Resistance (ESR) 串联谐振阻抗

Frequency Range	$6 < f_0 \leq 8$	$8 < f_0 \leq 12$	$12 < f_0 \leq 25$
ESR	80Ω Max.	60Ω Max.	50Ω Max.

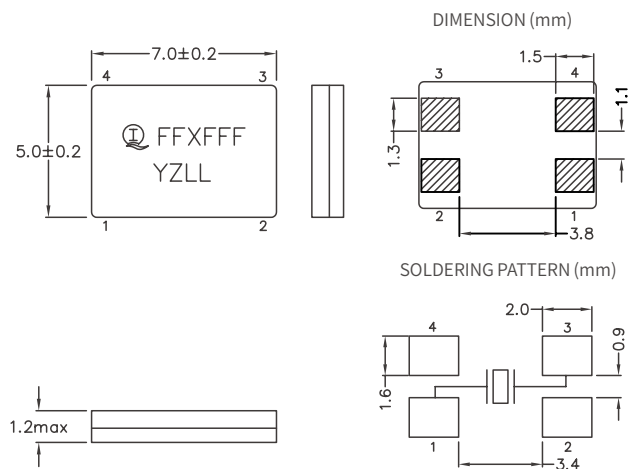
Please consult our sales representatives for other specifications. 如对其他规格查询, 请与我司销售人员联系。

### Dimensions

SMAC - 7050H (2 pads)



SMAC - 7050H (4 pads)



All specifications are subject to change without prior notice. 本公司保留修改规格的权利。