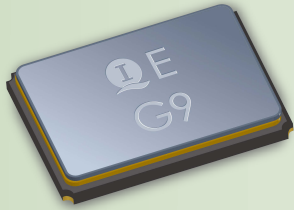




## SMCE-1612



### FEATURES

- Surface mount ceramic enclosures
- High reliability seam welded package
- Ultra-light weight and ultra-miniature size
- Wide frequency range
- RoHS Compliant and Pb Free

### Electrical Specifications

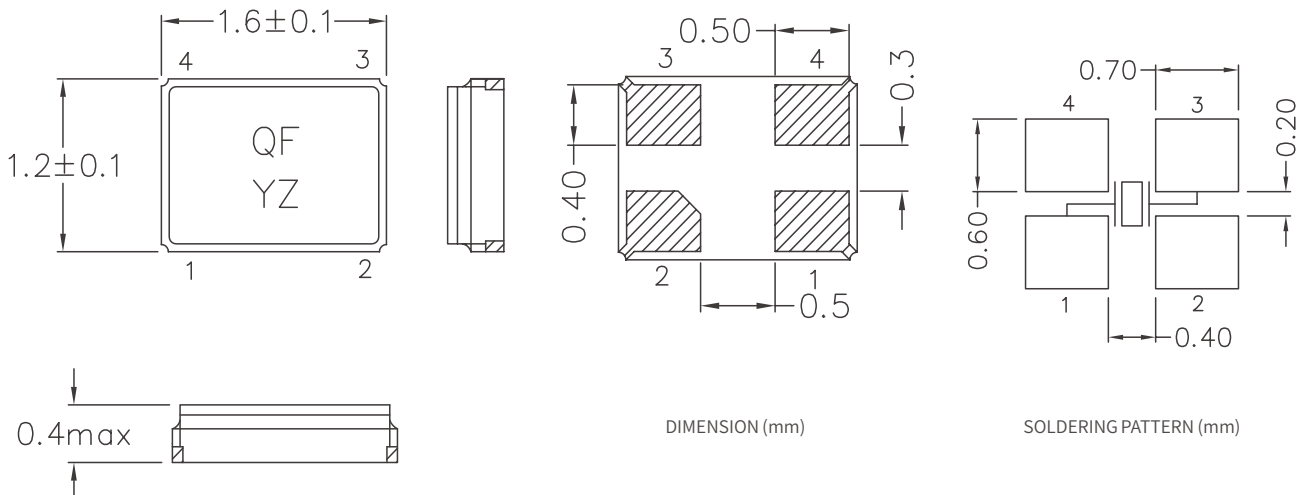
Parameters	Symbol	Specifications
Nominal Frequency Range 标称频率范围	$f_0$	24.0MHz ~ 100.0MHz
Frequency Tolerance, $T_a=25^\circ\text{C} \pm 3^\circ\text{C}$ 常温频率偏差	$\Delta f/f$	$\pm 10\text{ppm}$ , $\pm 20\text{ppm}$
Load Capacitance 负载电容	$C_L$	6pF or specify
Frequency Tolerance over Operating Temperature Range 频率温度特性	$\Delta f/f$	$\pm 10\text{ppm}$ , $\pm 20\text{ppm}$ or specify
Operating Temperature Range 工作温度	$T_{\text{OPR}}$	$-20^\circ\text{C} \sim +70^\circ\text{C}$ , $-40^\circ\text{C} \sim +85^\circ\text{C}$ , $-40^\circ\text{C} \sim +125^\circ\text{C}$ or specify
Storage Temperature Range 储存温度	$T_{\text{STG}}$	$-55^\circ\text{C} \sim +125^\circ\text{C}$
Drive Level 激励功率	DL	50 $\mu\text{W}$ Typ.
Shunt Capacitance 静态电容	$C_0$	2pF Max.
Insulation Resistance 绝缘电阻	IR	500M $\Omega$ Min.
Aging 老化率	$\Delta f_A$	$\pm 3\text{ppm/Year}$ Max.

### Equivalent Series Resistance (ESR) 串联谐振阻抗

Frequency Range	$24 < f_0 \leq 30$	$30 < f_0 \leq 60$
ESR	150 $\Omega$ Max.	100 $\Omega$ Max.

Please consult our sales representatives for other specifications. 如对其他规格查询, 请与我司销售人员联系。

### Dimensions



All specifications are subject to change without prior notice. 本公司保留修改规格的权利。