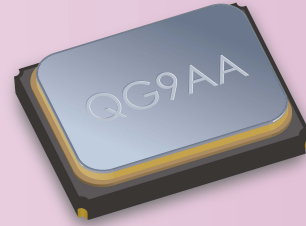


## SMLF-1610

### FEATURES

- Ultra-miniature size
- Surface Mount with Ceramic Package
- Reflow solderable
- Suitable for IoT and wearable devices
- RoHS Compliant and Pb Free

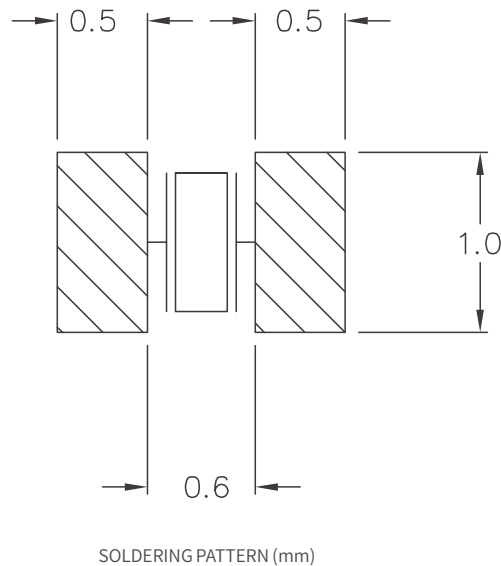
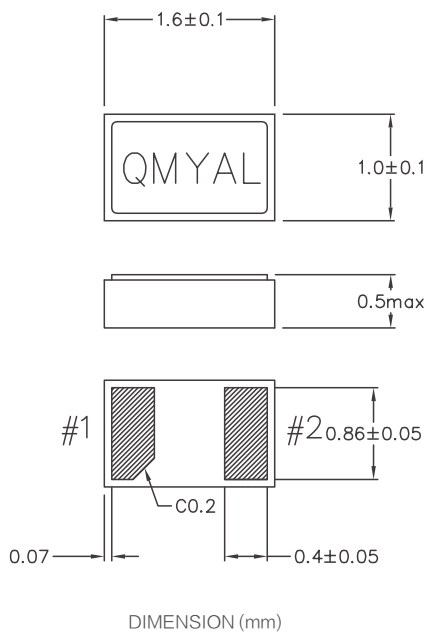


### Electrical Specifications

Parameters	Symbol	Specifications
Nominal Frequency 标称频率	$f_0$	32.768KHz
Frequency Tolerance, Ta=25°C ± 3°C 常温频率偏差	$\Delta f/f$	±20ppm
Load Capacitance 负载电容	$C_L$	12.5pF or specify
Temperature Coefficient 温度系数	$\Delta f/f$	-0.034±0.006ppm/°C <sup>2</sup>
Operating Temperature Range 工作温度范围	$T_{OPR}$	-20°C ~ +70°C, -40°C ~ +85°C
Storage Temperature Range 储存温度范围	$T_{STG}$	-55°C ~ +125°C
Drive Level 激励功率	DL	0.5μW Max.
Equivalent Series Resistance (ESR) 串联谐振阻抗	$R_1$	90KΩ Max.
Insulation Resistance 绝缘阻抗	IR	500MΩ Min.
Aging 老化率	$\Delta f_A$	±5ppm/Year Max.

Please consult our sales representatives for other specifications. 如对其他规格查询, 请与我司销售人员联系。

### Dimensions



All specifications are subject to change without prior notice. 本公司保留修改规格的权利。