

### FEATURES

- Surface mount ceramic enclosures
- High reliability seam welded package
- AEC-Q200 Qualified
- Wide frequency range



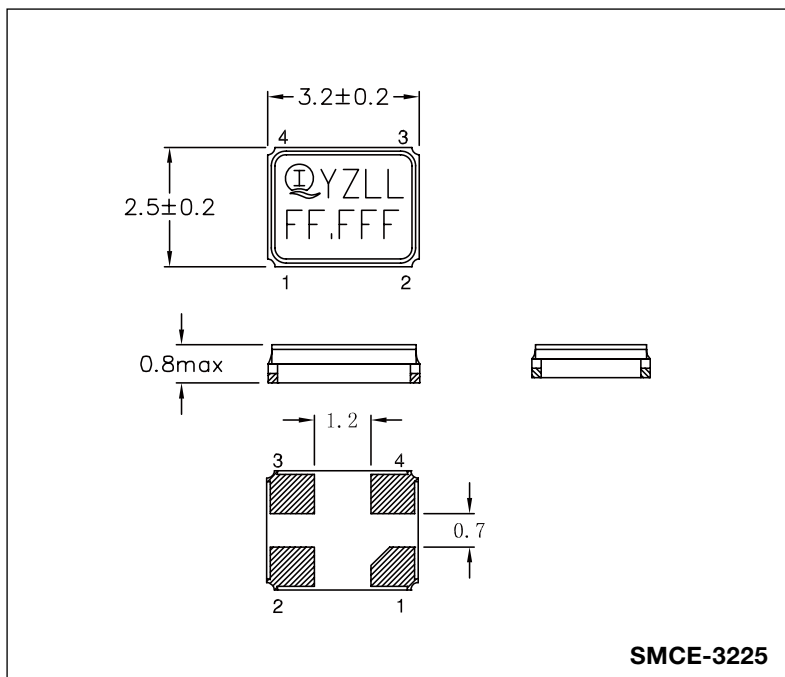
Parameters		Specifications
Nominal Frequency Range 標稱頻率範圍	$f_0$	10.0MHz ~ 50.0MHz (Fundamental)
Frequency Tolerance, $T_a=25^\circ\text{C} \pm 3^\circ\text{C}$ 常溫頻率偏差	$\Delta f/f$	$\pm 10\text{ppm}$ , $\pm 30\text{ppm}$
Load Capacitance 負載電容	$C_L$	10pF or customer specify
Frequency Tolerance over Operating Temperature Range with refer to $25^\circ\text{C}$ 相對於常溫的頻率溫度特性	$\Delta f/f$	$\pm 10\text{ppm}$ , $\pm 30\text{ppm}$
Operating Temperature Range 工作溫度範圍	$T_{\text{OPR}}$	$-20^\circ\text{C} \sim +70^\circ\text{C}$ , $-40^\circ\text{C} \sim +85^\circ\text{C}$
Storage Temperature Range 儲存溫度範圍	$T_{\text{STG}}$	$-55^\circ\text{C} \sim +125^\circ\text{C}$
Drive Level 激勵功率	DL	0.1mW (0.5mW Max.)
Shunt Capacitance 靜態電容	$C_0$	7pF Max.
Insulation Resistance 絕緣電阻	IR	500M $\Omega$ Min.
Aging 老化率	$\Delta f_A$	$\pm 3\text{ppm}/\text{Year}$ Max.

### SERIES RESISTANCE (ESR) 串聯諧振阻抗

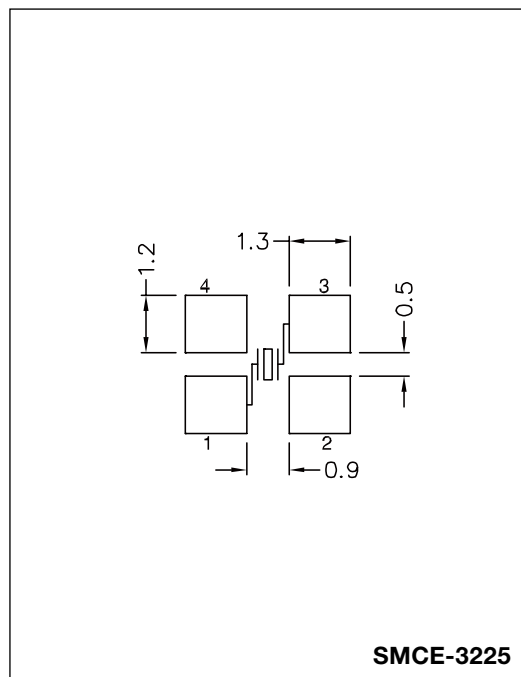
Frequency Range	$10 < f_0 \leq 12$	$12 < f_0 \leq 35$	$35 < f_0 \leq 50$
ESR	350 $\Omega$ Max.	100 $\Omega$ Max.	60 $\Omega$ Max.

Please consult our sales representatives for other specifications.  
如對其他規格查詢，請與我司銷售人員聯繫

### DIMENSION (mm)



### SOLDERING PATTERN (mm)



All specifications are subject to change without prior notice.  
本公司保留修改規格的權利。



**INTERQUIP ELECTRONICS CO LTD**  
應達利電子有限公司

Flat A, 9th Floor, On Shing Industrial Building, 2-16 Wo Liu Hang Road, Fotan, N.T., Hong Kong  
Tel: +852 2413 5515 Fax: +852 2413 7053 <http://www.interquip.com>

