

SMHF-49N

SURFACE MOUNT QUARTZ CRYSTAL RESONATORS 表貼石英晶體諧振器

High frequency (MHz) crystal resonators



FEATURES

- AT-cut crystal performance
- High reliability
- Low cost for high performance
- Tape & Reel Packing
- AEC-Q200 Qualified



Parameters		Specifications
Nominal Frequency Range 標稱頻率範圍	f_0	3.5MHz ~ 40.0MHz (Fundamental) 30.0MHz ~ 80.0MHz (3rd Overtone)
Frequency Tolerance, $T_a=25^\circ\text{C} \pm 3^\circ\text{C}$ 常溫頻率偏差	$\Delta f/f$	$\pm 10\text{ppm}$, $\pm 30\text{ppm}$
Load Capacitance 負載電容	C_L	18pF or customer specify
Frequency Tolerance over Operating Temperature Range with refer to 25°C 相對於常溫的頻率溫度特性	$\Delta f/f$	$\pm 10\text{ppm}$, $\pm 30\text{ppm}$
Operating Temperature Range 工作溫度範圍	T_{OPR}	$-20^\circ\text{C} \sim +70^\circ\text{C}$, $-40^\circ\text{C} \sim +85^\circ\text{C}$
Storage Temperature Range 儲存溫度範圍	T_{STG}	-55°C to 125°C
Drive Level 激勵功率	DL	0.1mW (1mW Max.)
Shunt Capacitance 靜態電容	C_0	7pF Max.
Insulation Resistance 絕緣電阻	IR	500M Ω Min.
Aging 老化率	Δf_A	$\pm 5\text{ppm/Year}$ Max.

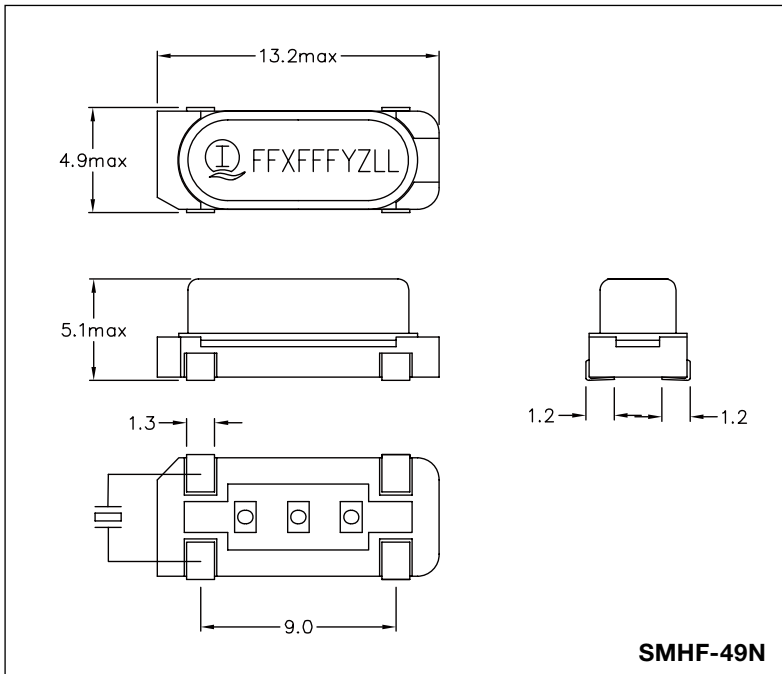
SERIES RESISTANCE (ESR) 串聯諧振阻抗

Frequency Range	$3.5 < f_0 \leq 4.5$	$4.5 < f_0 \leq 6$	$6 < f_0 \leq 8$	$8 < f_0 \leq 12$	$12 < f_0 \leq 15$	$15 < f_0 \leq 18$
ESR	120 Ω Max.	90 Ω Max.	70 Ω Max.	60 Ω Max.	40 Ω Max.	30 Ω Max.

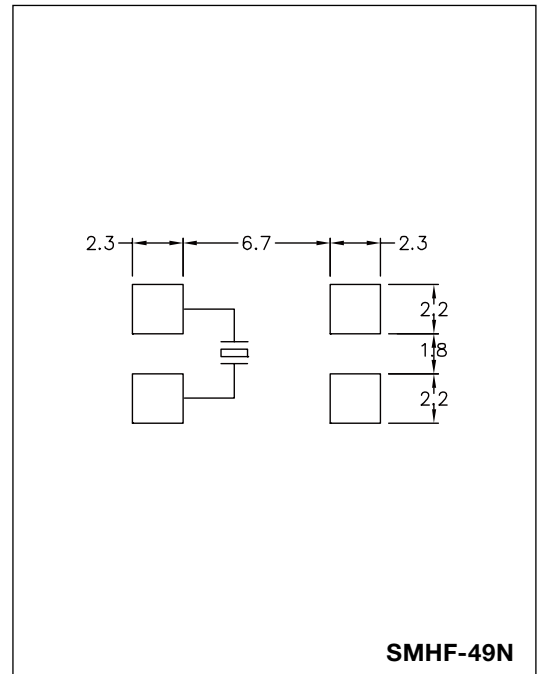
Frequency Range	$18 < f_0 \leq 33$	$30 < f_0 \leq 35$ (3.O.T)	$35 < f_0 \leq 40$ (3.O.T)	$40 < f_0 \leq 80$ (3.O.T)
ESR	25 Ω Max.	100 Ω Max.	80 Ω Max.	70 Ω Max.

Please consult our sales representatives for other specifications.
如對其他規格查詢，請與我司銷售人員聯繫

DIMENSION (mm)



SOLDERING PATTERN (mm)



All specifications are subject to change without prior notice.
本公司保留修改規格的權利。

I INTERQUIP ELECTRONICS CO LTD
應達利電子有限公司

Flat A, 9th Floor, On Shing Industrial Building, 2-16 Wo Liu Hang Road, Fotan, N.T., Hong Kong
Tel: +852 2413 5515 Fax: +852 2413 7053 <http://www.interquip.com>

