

### FEATURES

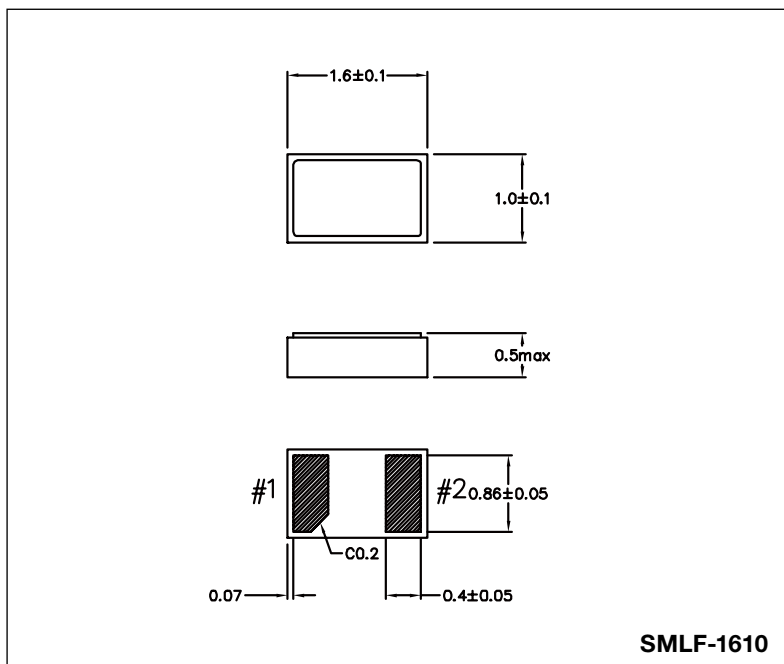
- Ultra-Compact design
- Surface Mount with Ceramic Package
- Reflow solderable



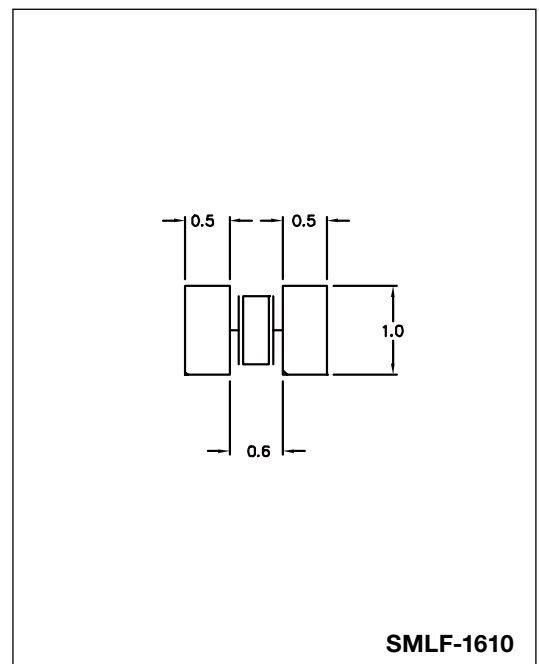
Parameters		Specifications
Nominal Frequency 標稱頻率	$f_0$	32.768KHz
Frequency Tolerance, Ta=25°C ± 3°C 常溫頻率偏差	$\Delta f/f$	±20ppm
Load Capacitance 負載電容	$C_L$	12.5pF or customer specify
Temperature Coefficient 溫度系數	$\Delta f/f$	-0.03±0.01ppm/°C <sup>2</sup>
Operating Temperature Range 工作溫度範圍	$T_{OPR}$	-20°C ~ +70°C, -40°C ~ +85°C
Storage Temperature Range 儲存溫度範圍	$T_{STG}$	-55°C ~ +125°C
Drive Level 激勵功率	DL	0.5μW Max.
Series Resistance (ESR) 串聯諧振阻抗	$R_1$	90KΩ Max.
Insulation Resistance 絕緣阻抗	IR	500MΩ Min.
Aging 老化率	$\Delta f_A$	±5ppm/Year Max.

Please consult our sales representatives for other specifications.  
如對其他規格查詢，請與我司銷售人員聯繫

### DIMENSION (mm)



### SOLDERING PATTERN (mm)



All specifications are subject to change without prior notice.  
本公司保留修改規格的權利。

