

**FEATURES**

- AT-cut crystal performance
- Ideal for Microprocessor Applications

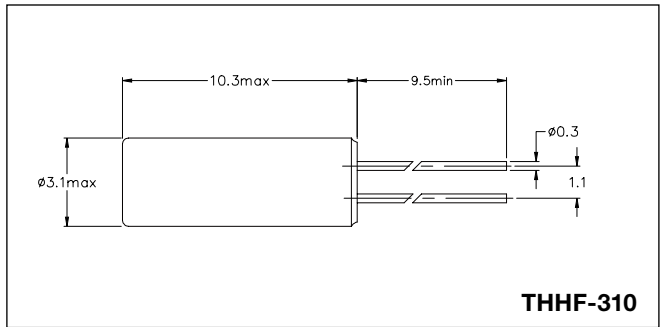
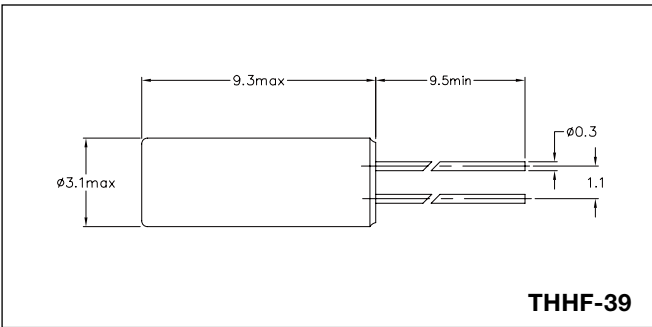
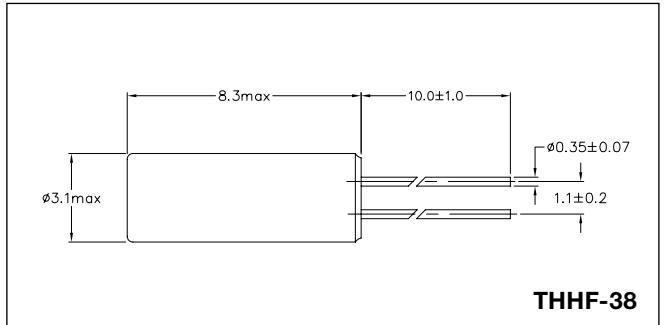
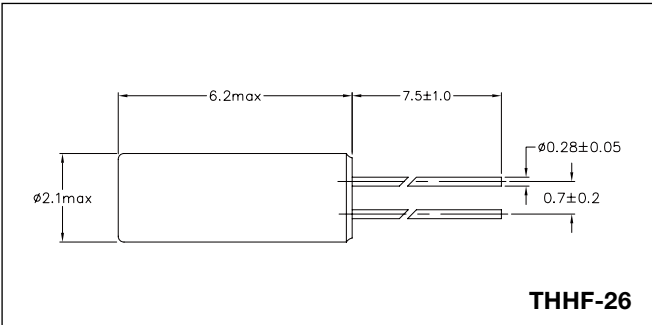


Parameters		THHF-26	THHF-38	THHF-39	THHF-310
Nominal Frequency Range 標稱頻率範圍	$f_0$	6.0 ~ 48.0MHz	6.0 ~ 48.0MHz	4.0 ~ 6.0MHz	3.579 ~ 4.0MHz
Frequency Tolerance, Ta=25°C ± 3°C 常溫頻率偏差	$\Delta f/f$	±10ppm, ±30ppm			
Load Capacitance 負載電容	$C_L$	18pF or customer specify			
Frequency Tolerance over Operating Temperature Range with refer to 25°C 相對於常溫的頻率溫度特性	$\Delta f/f$	±10ppm, ±30ppm			
Operating Temperature Range 工作溫度範圍	$T_{OPR}$	-20°C ~ +70°C, -40°C ~ +85°C			
Storage Temperature Range 儲存溫度範圍	$T_{STG}$	-55°C to 125°C			
Drive Level 激勵功率	DL	0.1mW (1mW Max.)			
Shunt Capacitance 靜態電容	$C_0$	7pF Max.			
Insulation Resistance 絕緣電阻	IR	500MΩ Min.			
Aging 老化率	$\Delta f_A$	±5ppm/Year Max.			

SERIES RESISTANCE (ESR) 串聯諧振阻抗					
Frequency Range	$3.579 < f_0 \leq 6$	$6 < f_0 \leq 12$	$12 < f_0 \leq 20$	$20 < f_0 \leq 36$	$36 < f_0 \leq 48$ (3rd overtone)
ESR	150Ω Max.	100Ω Max.	70Ω Max.	50Ω Max.	80Ω Max.

Please consult our sales representatives for other specifications.  
如對其他規格查詢，請與我司銷售人員聯繫

**DIMENSION (mm)**



All specifications are subject to change without prior notice.  
本公司保留修改規格的權利。

