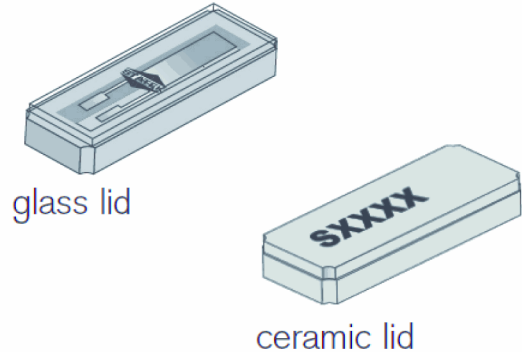


ISSUE 10; April 2016

Description

- Designed and manufactured in the USA, Statek's CX9 AT quartz crystal is the newest device available in frequencies ranging from 14MHz to 250MHz. This device has been specifically designed for applications requiring a very small foot print and low profile.
- -C-SM1 Ceramic Lid, Gold Plated (RoHS)
- -C-SM4 Ceramic Lid, Solder Plated (RoHS)
- -C-SM5 Ceramic Lid, Solder Dipped (RoHS)
- -SM1 Gold Plated (RoHS)
- Terminations are gold plated (RoHS compliant)
- -SM4 Solder Plated (RoHS)
- Terminations are solder plated (RoHS compliant)
- -SM5 Ceramic Lid, Solder Dipped (RoHS)
- Terminations are solder dipped (RoHS compliant)
- Please note that all data is only valid at 25°C unless otherwise stated.



Frequency Parameters

- Frequency 14.0MHz to 250.0MHz
- Frequency Tolerance ±100.00ppm
- Tolerance Condition @ 25°C
- Frequency Stability ±10.00ppm to ±100.00ppm
- Ageing ±5ppm max in 1st year (f<40MHz)

Electrical Parameters

- Load Capacitance (CL) 10.0pF
- Shunt Capacitance (C0) 1pF typ
- Drive Level 200µW max f≤50MHz, 100µW max f>50MHz
- Typical Electrical Parameters:

Frequency	25MHz	49MHz	155.52MHz
ESR (Ω)	30	30	25
C1 (fF)	1.8	2.1	2.5
Q (k)	120	60	16
Co (pF)	1.0	1.0	1.4

Operating Temperature Ranges

- -10 to 70°C
- -40 to 85°C
- -55 to 125°C

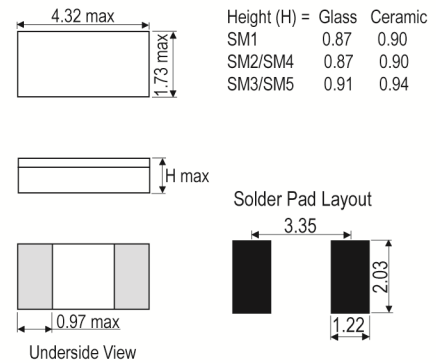
Environmental Parameters

- Shock: 5000G, 0.3 ms, 1/2 sine
- Vibration: MIL-STD202G, Method 204D, Condition D: 20G, 10-2000 Hz, swept sine
- Storage Temp Range: -55 to 125°C

Manufacturing Details

- Max Process Temperature: 260°C for 20 sec.

Outline (mm) -SM1 = Gold Plated (RoHS)



Sales Office Contact Details:

UK: +44 (0)1460 270200
Germany: 0800 1808 443

France: 0800 901 383
USA: +1.760.318.2824

Email: info@iqdfrequencyproducts.com
Web: www.iqdfrequencyproducts.com

Ordering Information

- Terminations:
SM1 = Gold Plated (RoHS)
SM2 = Solder Plated (non RoHS)
SM3 = Solder Dipped (non RoHS)
SM4 = Solder Plated (RoHS)
SM5 = Solder Dipped (RoHS)
- Example:
20.0MHz CX9 AT-C-SM1
100/100/-55 to 125C/10 FUND
- Ordering Information (*minimum required):
Frequency*
Model*
Lid:* C=Ceramic, Blank=Glass
Variant:* SM1, SM2, SM3, SM4, SM5
Frequency Tolerance @25°C*
Frequency Stability over operating temperature range*
Operating Temperature Range*
Load Capacitance
Overtone

Compliance

- RoHS Status (2011/65/EU) Optional
- REACh Status Compliant
- MSL Rating (JDEC-STD-033): Not Applicable

Packaging Details

- Pack Style: Reel Tape & reel in accordance with EIA-481-D
Pack Size: 1,000
- Pack Style: Tray Tray Pack
Pack Size: 1

Electrical Specification - maximum limiting values

Frequency Min	Frequency Max	Temperature Range	Stability (Min)	Over Tone Order	ESR
		°C	ppm		Ω
14.0MHz	250.0MHz	-10 to 70	±10	Fundamental	-
		-40 to 85	±20		-
		-55 to 125	±30		-

*Stability Maximum values ±100ppm

This document was correct at the time of printing; please contact your local sales office for the latest version.

[Click to view latest version on our website.](#)

Sales Office Contact Details:

UK: +44 (0)1460 270200

France: 0800 901 383

Email: info@iqdfrequencyproducts.com

Germany: 0800 1808 443

USA: +1.760.318.2824

Web: www.iqdfrequencyproducts.com