

ISSUE 17; April 2016

Description

- Low profile version of the HC49/4HSMX SMD crystal
Resistance welded, hermetically sealed in an inert atmosphere, glass to metal seals on leads
Lead wires are mounted onto a plastic former to create a gull wing mount
Other profile versions available please contact our sales offices for details
- 3L 3 leg version with center ground lead

Frequency Parameters

- Frequency: 3.2MHz to 100.0MHz
- Frequency Tolerance: $\pm 10.00\text{ppm}$ to $\pm 100.00\text{ppm}$
- Tolerance Condition: @ 25°C $\pm 2^\circ\text{C}$
- Frequency Stability: $\pm 15.00\text{ppm}$ to $\pm 500.00\text{ppm}$
- Ageing: $\pm 5\text{ppm}$ typ per year @ 25°C

Electrical Parameters

- Load Capacitance (CL): 10.0pF to 75.0pF
- Shunt Capacitance (C0): 7pF max
- Drive Level: 500µW max

Operating Temperature Ranges

- 0 to 50°C
- 10 to 60°C
- 20 to 70°C
- 30 to 80°C
- 40 to 85°C
- 55 to 105°C

Environmental Parameters

- Shock: 981m/s², 6ms, 3 times in each of 3 mutually perpendicular planes
- Vibration: 10Hz-60Hz, 0.75mm amplitude, 60Hz-500Hz, 98.1m/s², 30mins in 3 mutually perpendicular planes
- Storage Temperature Range: -55 to 125°C

Ordering Information

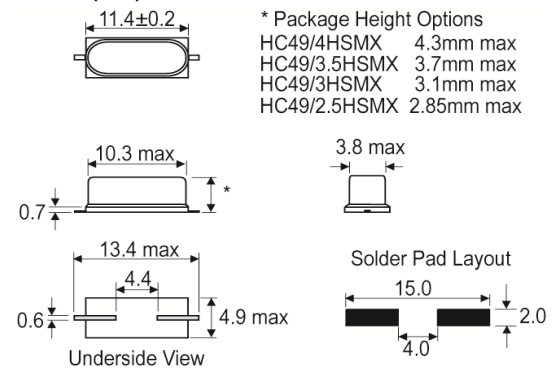
- Frequency*
Model*
Frequency Tolerance (@ 25°C)*
Frequency Stability (over operating temperature range)*
Operating Temperature Range*
Load Capacitance*
Overtone*
(*minimum required)
- Example
10.00MHz HC49/3.5HSMX
50/50/-40 to 85C/10 FUND

Compliance

- RoHS Status (2011/65/EU): Compliant
- REACH Status: Compliant
- MSL Rating (JDEC-STD-033): Not Applicable

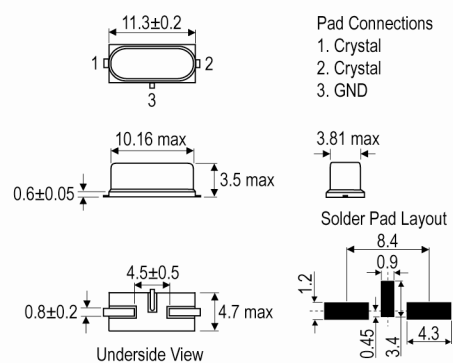


Outline (mm)



* Package Height Options
 HC49/4HSMX 4.3mm max
 HC49/3.5HSMX 3.7mm max
 HC49/3HSMX 3.1mm max
 HC49/2.5HSMX 2.85mm max

Outline (mm) -3L = 3 leg version with center ground lead



Pad Connections
 1. Crystal
 2. Crystal
 3. GND

Sales Office Contact Details:

UK: +44 (0)1460 270200
 Germany: 0800 1808 443

France: 0800 901 383
 USA: +1.760.318.2824

Email: info@iqdfrequencyproducts.com
 Web: www.iqdfrequencyproducts.com

Packaging Details

- Pack Style: Bulk Loose in bulk pack
 Pack Size: 100
- Pack Style: Cutt In tape, cut from a reel
 Pack Size: 10
- Pack Style: Reel Tape & reel in accordance with EIA-481-D
 Pack Size: 1,000

Electrical Specification - maximum limiting values

Frequency Min	Frequency Max	Temperature Range	Stability (Min)	Over Tone Order	ESR
		°C	ppm		Ω
3.2MHz	3.999999MHz	0 to 50 -10 to 60 -20 to 70 -30 to 80 -40 to 85 -55 to 105	±15 ±20 ±20 ±25 ±30 ±100	Fundamental	300
4.0MHz	5.499999MHz	0 to 50 -10 to 60 -20 to 70 -30 to 80 -40 to 85 -55 to 105	±15 ±20 ±20 ±25 ±30 ±100	Fundamental	130
5.5MHz	7.999999MHz	0 to 50 -10 to 60 -20 to 70 -30 to 80 -40 to 85 -55 to 105	±15 ±20 ±20 ±25 ±30 ±100	Fundamental	60
8.0MHz	39.999999MHz	0 to 50 -10 to 60 -20 to 70 -30 to 80 -40 to 85 -55 to 105	±15 ±20 ±20 ±25 ±30 ±100	Fundamental	40
26.0MHz	100.0MHz	0 to 50 -10 to 60 -20 to 70 -30 to 80 -40 to 85 -55 to 105	±15 ±20 ±20 ±25 ±30 ±100	3rd Overtone	100

*Stability Maximum values ±500ppm

This document was correct at the time of printing; please contact your local sales office for the latest version.

[Click to view latest version on our website.](#)

Sales Office Contact Details:

UK: +44 (0)1460 270200

France: 0800 901 383

Email: info@iqdfrequencyproducts.com

Germany: 0800 1808 443

USA: +1.760.318.2824

Web: www.iqdfrequencyproducts.com