

## Ceramic SMD TCXO

### Features

- $\pm 0.5$  ppm over temperature
- Frequency Range : 10MHz ~ 30MHz
- Surface Mount type package
- Low Current Consumption
- Ultra-Miniature Size (5.0 $\times$ 3.2 $\times$ 1.55)
- RoHS Compliant & Lead Free

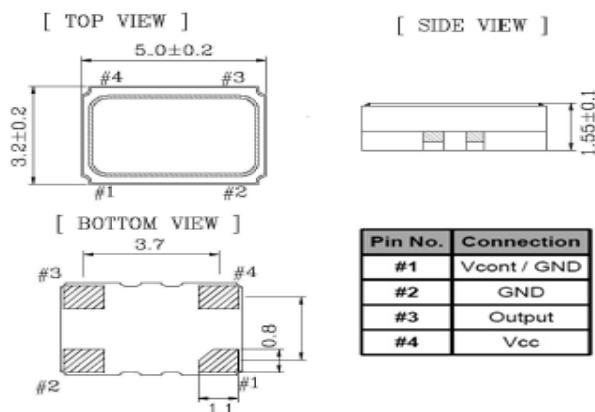
### Applications

- GPS, GPS Module
- Cellular phone (CDMA & WCDMA)
- Broadband Access

### Specifications

Parameters	Value	Conditions
Output Frequency	10 ~ 30 MHz	
Supply Voltage	DC 2.4 V to 3.0V	
Output Level	0.8 Vp-p Min	10kohm//10pF
Current Consumption	1.5 mA / 2.0mA Max	10kohm//10pF
Load	10k $\Omega$ // 10pF Typical	6~15k $\Omega$ // 2~10pF
Operating Temperature Range	-30 °C to +80 °C	
Storage Temperature Range	-40 °C to +85 °C	
Frequency Tolerance	$\pm 2.0$ ppm Max	Referenced to 25 °C
Frequency Stability		
vs. Temperature	$\pm 0.5$ ppm Max	-40~85°C
vs. Supply Voltage	$\pm 0.2$ ppm Max	Supply Voltage $\pm 5\%$
vs. Load	$\pm 0.2$ ppm Max	10kohm//10pF
vs. Aging	$\pm 1.0$ ppm Max	1 Year
Phase Noise	-130 dBc/Hz Max	1KHz offset
Harmonics	-8 dBc Max	
Start Up Time	2.0mS Max	

### Outline (Unit: mm)



### Land Pattern (Unit: mm)

