

- Miniature package: 4.0 x 2.5 x 0.6mm
- Gold-plated ceramic base with metal seam-welded package
- Very low ageing
- Designed for hand-held equipment, PDAs, Blue Tooth, GPS
- High shock and vibration resistance



4.0 x 2.5 x 0.6mm SMD



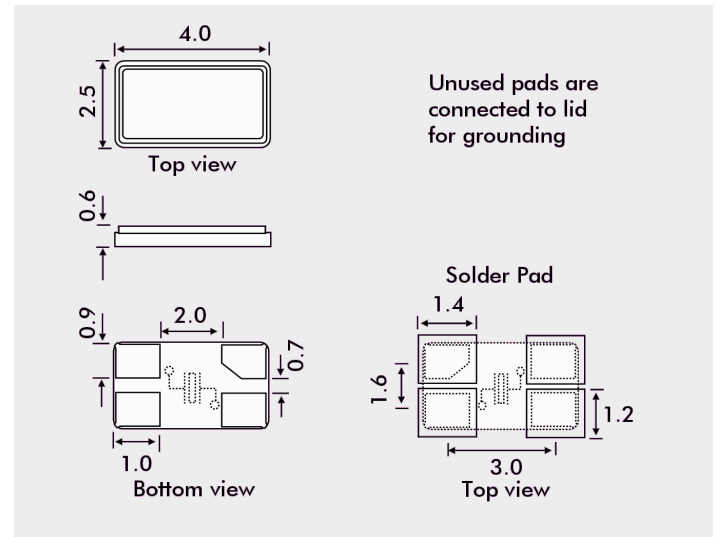
DESCRIPTION

X42 crystals are micro-miniature surface-mount mount crystals. The crystals have a gold plated ceramic base and a seam welded metal lid providing a stable crystal with very low ageing. The rugged construction ensures that this crystal has high shock and vibration resistance. The crystal has been specifically designed for use in small hand-held communication equipment such as PDAs, GPS and Bluetooth.

SPECIFICATION

Frequency Range	
AT-Cut Fundamental:	12.0MHz to 50.0MHz
Calibration Tolerance at 25°C*:	from ±5ppm (±10, ±20 or ±30ppm standard)
Frequency stability*	
-10° to +60°C	from ±5ppm
-20° to +70°C	from ±10ppm
-30° to +85°C	from ±10ppm
Storage Temperature:	-40°~+85°C
Equivalent Series Resistance:	See table
Shunt Capacitance (C0):	2pF to 4pF typical, 5pF maximum
Load Capacitance (CL):	Series or from 10pF to 32pF (Customer specified CL)
Ageing:	<±3ppm per year at +25°C
Drive level:	100µW max., 10µW min.,
Reflow Soldering:	10s maximum at 260°C twice or 180s at 230°C, once.
Packaging:	EIA tape and reel 1000 pieces per reel
RoHS Status:	RoHS Compliant and pB free

OUTLINE & DIMENSIONS



EQUIVALENT SERIES RESISTANCE

Frequency Range MHz	ESR Ohms Max.
12.0 ~ 16.0	80
16.1 ~ 60.0	50

PART NUMBER FORMAT

