

- **Miniature size: 6.0mm x 3.5 x 1.0mm**
- **Tight tolerances available**
- **High shock and vibration resistance**
- **Ideal for PDAs, GPS, PCMCIA and hand-held equipment**

6 x 3.5 x 1.0mm SMD



DESCRIPTION

Miniature surface mount MF crystals incorporate a ceramic substrate and hermetically-sealed metal lid. The compact size and low mass with a high-specification crystal make MF crystals ideal for high density applications as well as hand-held and communications equipment.

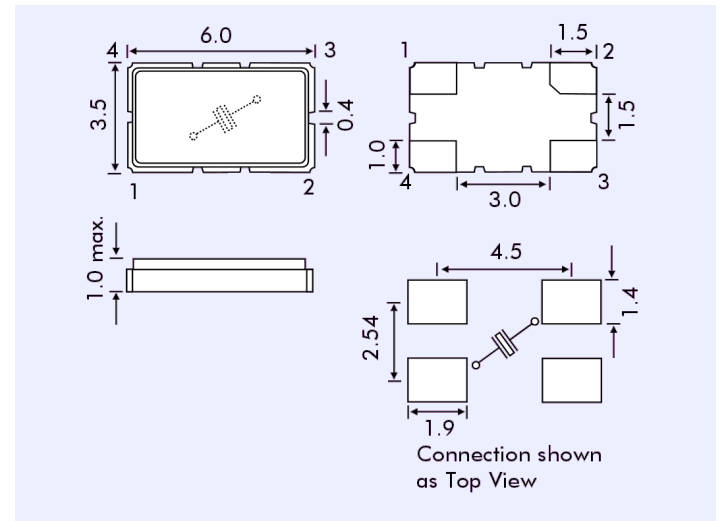
SPECIFICATION

| | |
|---------------------------------|---|
| Frequency Range | |
| AT-Cut Fundamental: | 8.0MHz to 50.0MHz |
| AT-Cut 3rd Overtone: | 30.0MHz to 125.0MHz |
| Calibration Tolerance at 25°C*: | from ±5ppm, ±10, ±20 (±30ppm standard) |
| Frequency stability | |
| -10° to +60°C | from ±5ppm |
| -20° to +70°C | from ±10ppm |
| -40° to +85°C | from ±15ppm |
| -55 to +125°C | from ±20ppm |
| Storage Temperature: | -55°~+105°C |
| Equivalent Series Resistance: | See table |
| Shunt Capacitance (C0): | 2pF to 4pF typical, 7pF maximum |
| Load Capacitance (CL): | Series or from 8pF to 32pF (Customer specified CL) |
| Ageing: | < ±3ppm per year at +25°C |
| Drive level: | 100 µW maximum |
| Reflow Soldering: | 10s maximum, 260°C twice or 180s at 230°C, once. |
| Package: | Ceramic base, metal lid, Hermetic seal |
| Packaging: | 16mm EIA tape and reel 1000 pieces per reel |
| RoHS Status: | RoHS Compliant and pB free |

EQUIVALENT SERIES RESISTANCE

| Frequency Range MHz | Crystal Cut/ Mode | ESR Ω Max. |
|---------------------|-------------------|------------|
| 8.0 ~ 12.0 | AT Fund. | 80 |
| 12.1 ~ 16.0 | AT Fund. | 60 |
| 16.1 ~ 50.0 | AT Fund. | 40 |
| 30.0 ~ 40.0 | AT 3rd OT | 100 |
| 40.1 ~ 50.0 | AT 3rd OT | 80 |
| 50.1 ~ 125 | AT 3rd OT | 50 |

OUTLINE & DIMENSIONS



PART NUMBER FORMAT

