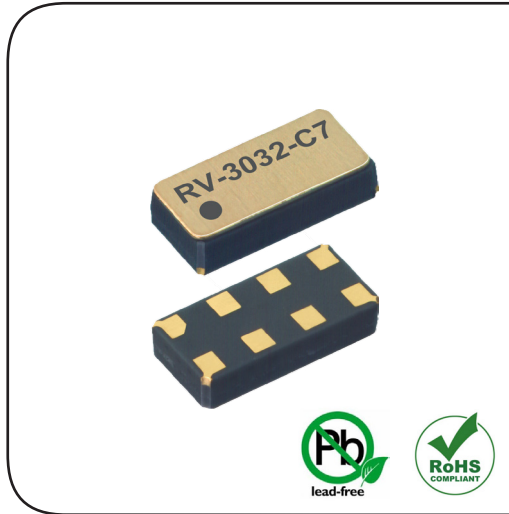
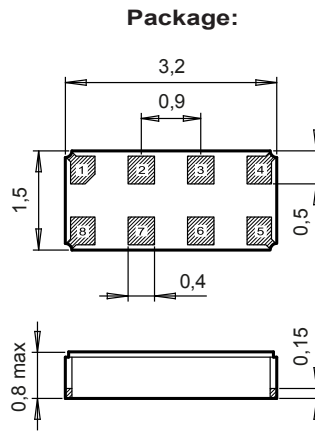


RV-3032-C7

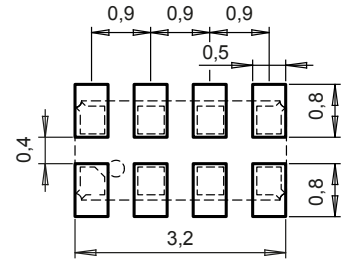
Real-Time Clock Module with I²C-Bus



DIMENSIONS



Recommended Solder Pad:



Metal lid is connected to V_{SS} (pin #5)

All dimensions in mm typical

APPLICATIONS

IoT
 Metering
 Industrial
 Automotive
 Health Care
 Wearables, Portables

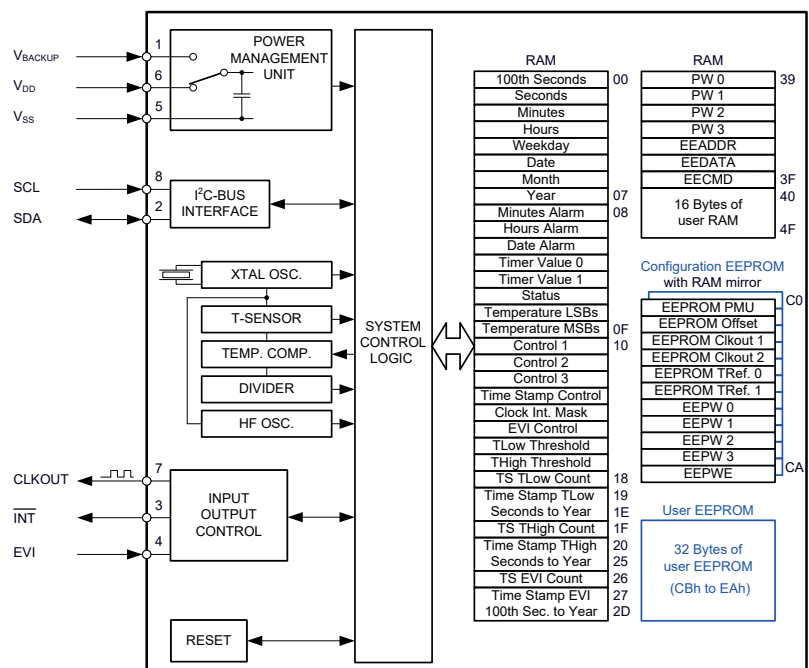
DESCRIPTION

The RV-3032-C7 is a SMD Real-Time Clock Module that incorporates an integrated CMOS circuit together with an XTAL. It operates under vacuum in a hermetically sealed ceramic package with metal lid.

FEATURES

- Ultra low power consumption: 160 nA @ 3 V
- Wide operating voltage range: 1.2 V to 5.5 V
- Time accuracy: -40°C to +85°C, ±3 ppm
- 12-bit Temperature Sensor with interrupt function
- User programmable password for write protection
- Automatic Backup Switchover
- Trickle Charger with Charge Pump
- Timer, Alarm and External event functions
- Clock output frequencies: 1 Hz to 52 MHz
- 32 bytes user EEPROM, 16 bytes user RAM
- I²C-bus interface: 400 kHz
- 100% Pb-free, RoHS-compliant
- Automotive qualification according to AEC-Q200 available

BLOCK DIAGRAM



ELECTRICAL CHARACTERISTICS AT 25°C

More detailed information can be found in the Application Manual.

	Symbol	Condition	Min.	Typ.	Max	Unit
Supply voltage	V _{DD}	Temp. comp.	1.2		5.5	V
Supply voltage	V _{DD}	I ² C-bus active	1.4		5.5	V
Current consumption Time keeping mode	I _{DDO}	I ² C-bus inactive, V _{DD} = 3 V		160	210	nA
CLKOUT frequency	F _{CLKOUT}	Programmable	1 Hz to 52 MHz			
Time accuracy	ΔF/F	-40 to +85°C	±3			ppm
Aging first year max.	ΔF/F	@ 25°C	±3			ppm

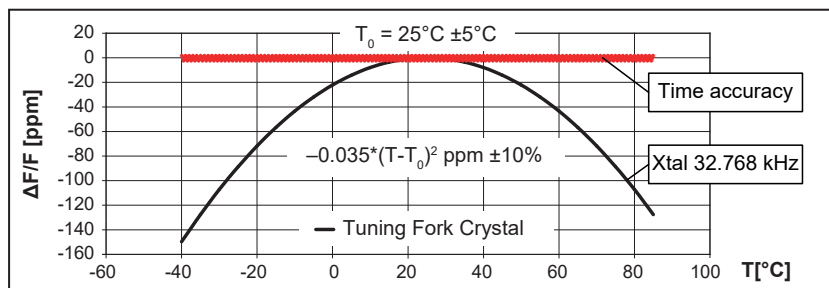
ENVIRONMENTAL CHARACTERISTICS

	Conditions	Max. Dev.
Storage temp. range	-55 to +125°C	
TA Operating temperature range	-40 to +85°C	
Shock resistance	ΔF/F 5000 g, 0.3 ms, ½ sine	±5 ppm
Vibration resistance	ΔF/F 20 g / 10–2000 Hz	±5 ppm

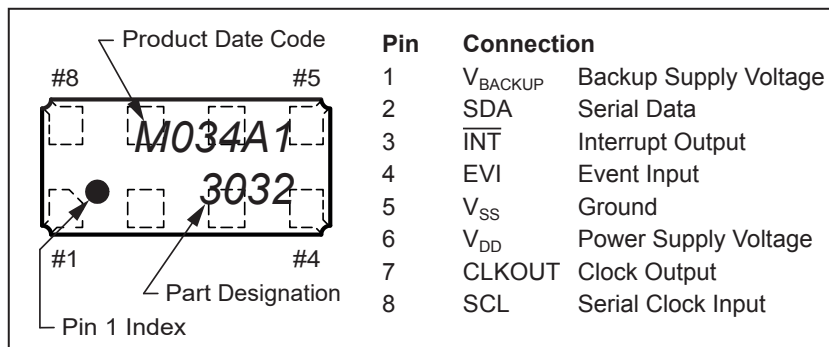
TERMINATIONS AND PROCESSING

Package	Termination	Processing
SON-8	Au flashed pads	IPC/JEDEC J-STD-020C 260°C / 20 - 40 s

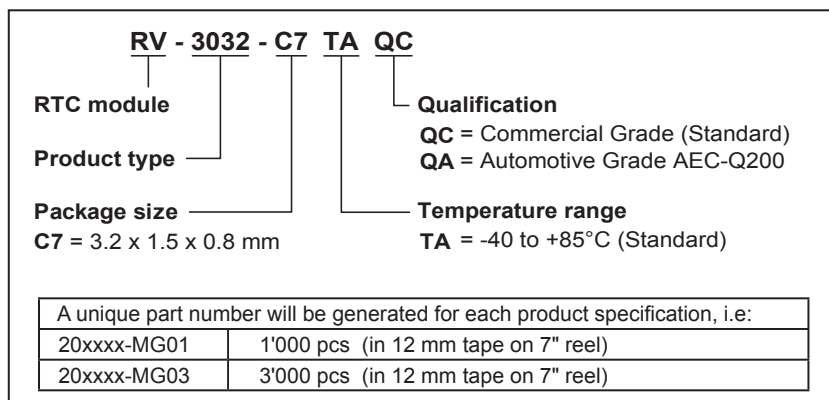
FREQUENCY TEMPERATURE CHARACTERISTICS



PIN CONNECTIONS TOP VIEW



ORDERING INFORMATION



All specifications subject to change without notice.



A COMPANY OF THE SWATCH GROUP

Micro Crystal AG
Muehlestrasse 14
CH-2540 Grenchen
Switzerland

Phone +41 32 655 82 82
Fax +41 32 655 82 83
sales@microcrystal.com
www.microcrystal.com