

# MWC Series – 2.0 x 1.6 Oscillator Specification



- 2.0 X 1.6 SMT Package
- CMOS Output
- Tri-state Option
- Tape and Reel Packaging Available

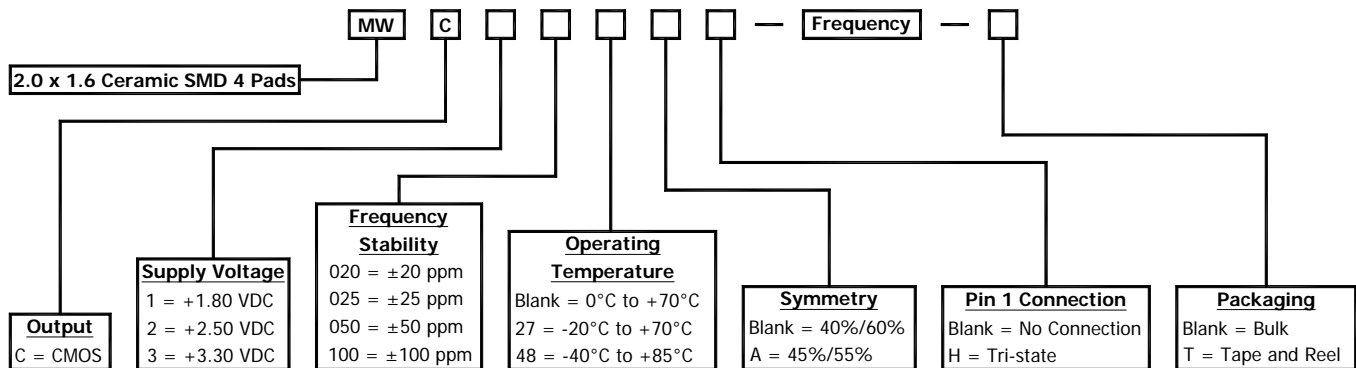


## ELECTRICAL SPECIFICATION:

Frequency Range	1.000MHZ to 80.000MHZ		
Temperature Stability (Inslusive of Temperature, Load, Voltage, and Aging)	(See part Number Guide for Options)		
Operating Temperature Range	(See part Number Guide for Options)		
Storage Temperature Range	-40°C to +85°C		
Supply Voltage (V <sub>DD</sub> ) ±10%	+1.80 VDC	+2.50 VDC	+3.30 VDC
Supply Current	4 mA max	4 mA max	4 mA max
Output	CMOS		
Logic "0"	Less than 10% of Supply Voltage		
Logic "1"	Greater than 90% Supply Voltage		
Symmetry (50% of waveform)	(See part Number Guide for Options)		
Rise and Fall Time (20% to 80% of waveform)	6 nSec		
Load	15pF		
Start Up Time	10 msec		

Tri-state Operation	Voh = 70% of Vdd min or No Connection to Enable Output Vol = 30% of Vdd max or grounded to Disable Output (High Impedance)
---------------------	---

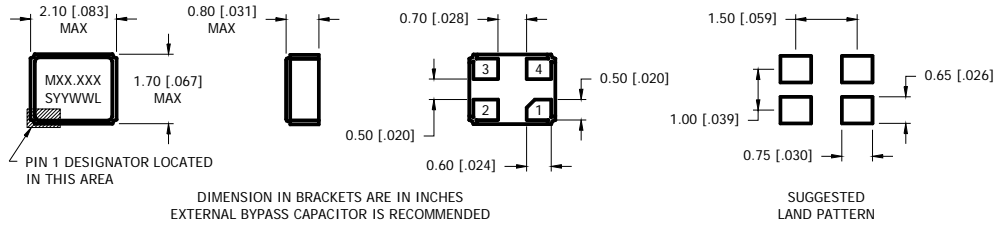
## PART NUMBER GUIDE:



Please Consult with MMD Sales Department for any other Parameters or Options

QUALITY MANAGEMENT SYSTEM CERTIFIED BY DNV 	<b>MMD Components</b> , 30400 Esperanza, Rancho Santa Margarita, CA, 92688 Phone: (949) 709-5075, Fax: (949) 709-3536, <a href="http://www.mmdcomp.com">www.mmdcomp.com</a> Sales@mmdcomp.com	Free Pb Compliant
---	---	----------------------

## MECHANICAL DIMENSIONS:



PIN CONNECTIONS	
PIN 1	TRI-STATE OR NO CONNECTION
PIN 2	OUTPUT
PIN 3	CASE GROUND
PIN 4	SUPPLY VOLTAGE

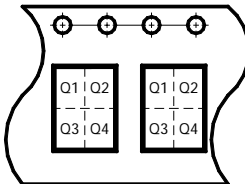
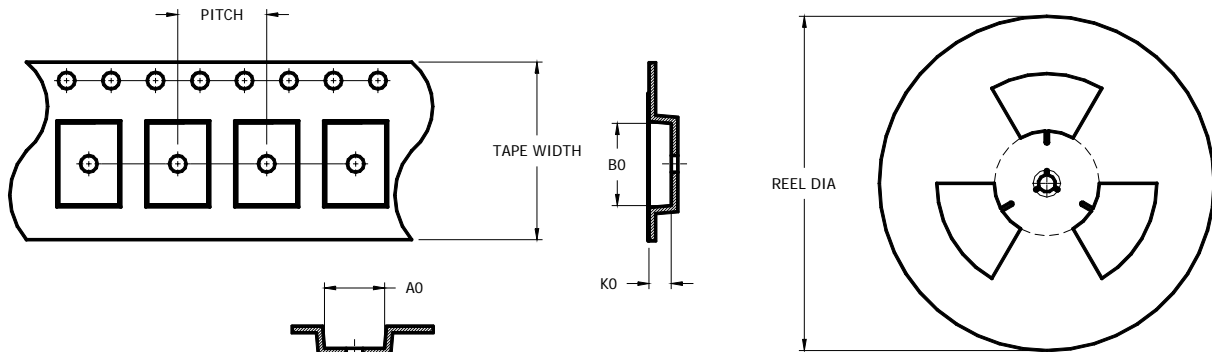
## ENVIRONMENTAL/MECHANICAL SPECIFICATION:

Shock	MIL-STD-883, Meth 2002, Cond B
Solderability	MIL-STD-883, Meth 2003
Vibration	MIL-STD-883, Meth 2007, Cond A
Gross Leak Test	MIL-STD-883, Meth 1014, Cond C
Fine Leak Test	MIL-STD-883, Meth 1014, Cond A
Reflow Solder	+260°C for 10 sec max

## MARKING DETAIL:

Line 1 = MXX.XXX  
M = MMD COMPONENTS  
XX.XXX = Frequency in MHZ  
Line 2 = SYYWWL  
S = Internal Code  
YYWW = 4 Digit Date Code (Year / Week)  
L = Denotes RoHS Compliant  
Pin 1 Designator

## TAPE AND REEL DIMENSIONS:



PITCH	4.0
TAPE WIDTH	8.0
REEL DIA	180
QTY PER REEL	1000
PIN 1 ORIENT.	Q1

### NOTES: UNLESS OTHERWISE SPECIFIED

- Applicable Standards / Specifications  
ANSI Y14.5M, Dimensions and Tolerances  
EIA-481-B, 8 mm through 200mm Embossed Carrier Taping and 8 mm and 12 mm Punched Carrier Taping of Surface Mount Components for Automatic Handling.
- Dimensions are in millimeters.
- Tolerances are ±0.1 mm unless otherwise specified.
- Do not scale drawing.

DIRECTION OF FEED

QUALITY MANAGEMENT SYSTEM  
CERTIFIED BY DNV  
ISO 9001:2008

**MMD Components**, 30400 Esperanza, Rancho Santa Margarita, CA, 92688  
Phone: (949) 709-5075, Fax: (949) 709-3536, [www.mmdcomp.com](http://www.mmdcomp.com)  
Sales@mmdcomp.com

**Pb** RoHS  
Free Compliant

In the event of conflict, the requirements of this specification shall govern

Revision:

MWC111509A

Specification Subject to change without notice

Page 2 of 2