

WC146SM Series Crystal

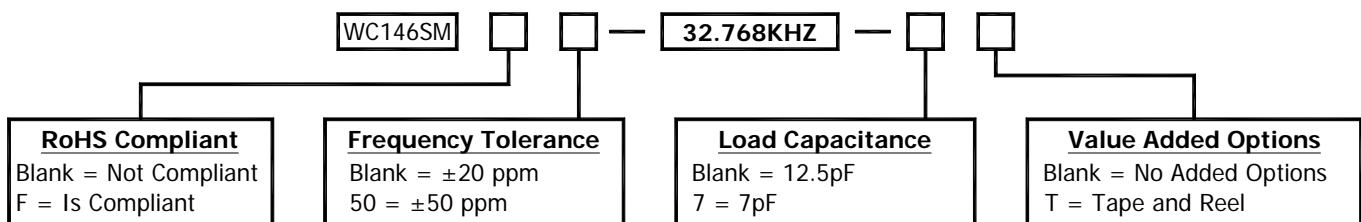


- Ultra Low Profile with 1.4mm Height max
- 32.768KHZ
- RoHS Compliant Available
- Ideal for use in space confined applications
- Tape and Reel Packaging



Frequency	32.768KHZ
Frequency Tolerance	±20ppm or ±50ppm
Turnover Temperature	+25°C ±5°C
Temperature Coefficient	-0.04 x 10 ⁻⁶ /°C ²
Load Capacitance	7.0pF or 12.5pF
Series Resistance	65K Ohms max
Maximum Drive Level	1.0 uWatt
Recommended Drive Level	0.1 uWatt
Shunt Capacitance	0.8pF typ
Aging	±3ppm for the first year
Operating Temperature	-40°C to +85°C
Storage Temperature	-55°C to +125°C
Moisture Sensitivity Level	3

Part Number Guide



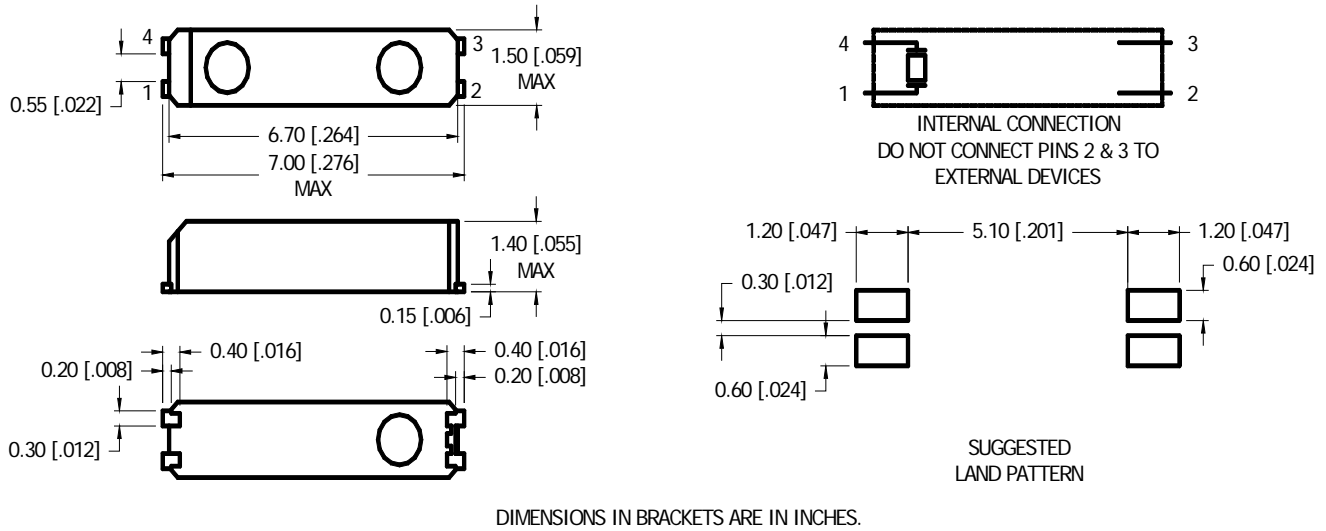
Please consult with MMD sales department for any other parameters or options.



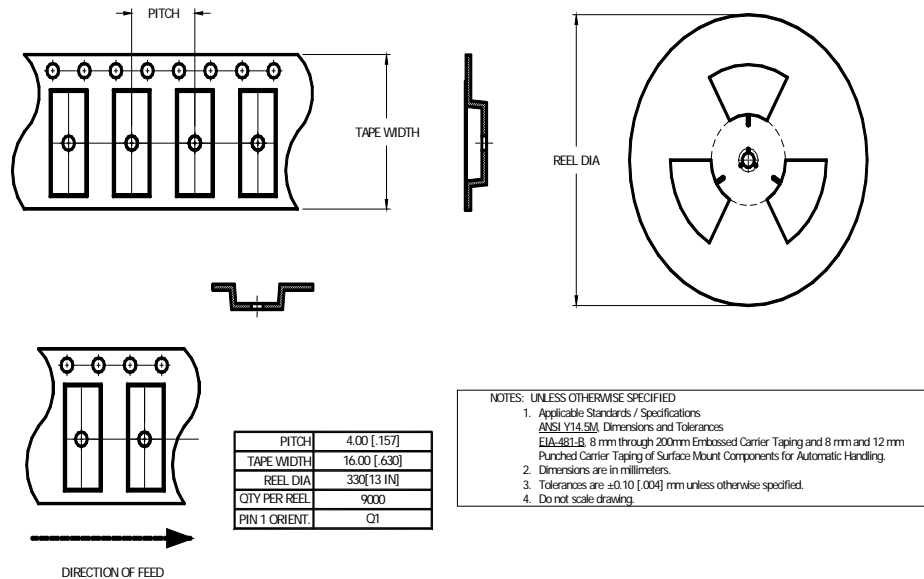
MMD Monitor/Quartztek
30400 Esperanza, Rancho Santa Margarita, CA, 92688
Phone: (949) 709-5075, Fax: (949) 709-3536, www.mmdcomp.com
Sales@mmdcomp.com



Mechanical Details



Tape & Reel



MMD Monitor/Quartztek
 30400 Esperanza, Rancho Santa Margarita, CA, 92688
 Phone: (949) 709-5075, Fax: (949) 709-3536, www.mmdcomp.com
 Sales@mmdcomp.com



Revision: WC146SM082812H