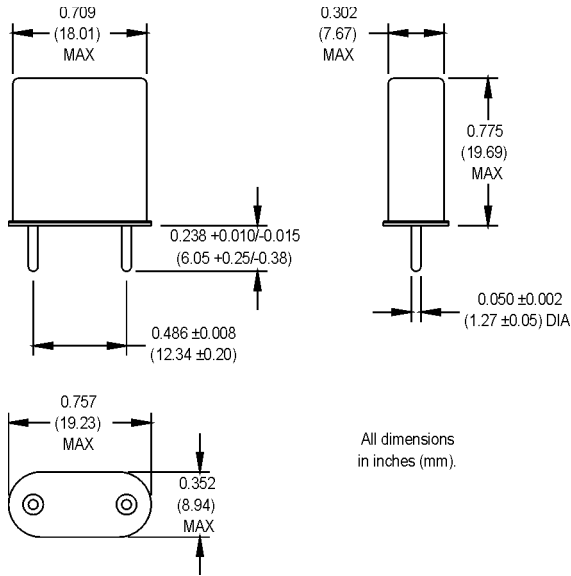


MIL-PRF-3098 QPL Crystals

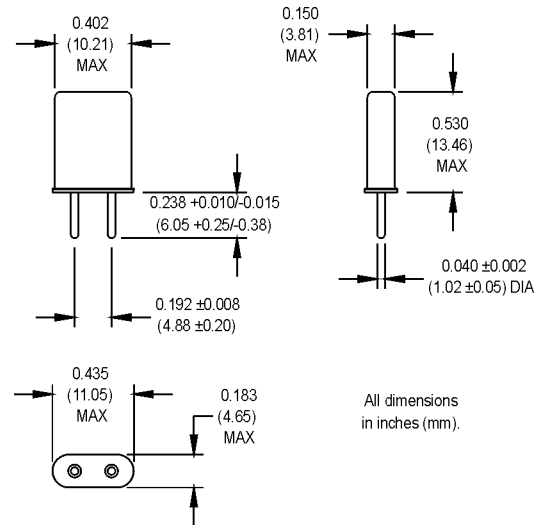
Crystals qualified under MIL-PRF-3098

MtronPTI has been a QPL'd supplier of military quartz crystals since 1967. Crystal designs requiring military approval fall into two categories, those which have been subjected to formal QPL qualification under MIL-PRF-3098 and others too new and/or too limited in quantity to have been so certified. MtronPTI does both in a MIL-STD-790 certified facility.

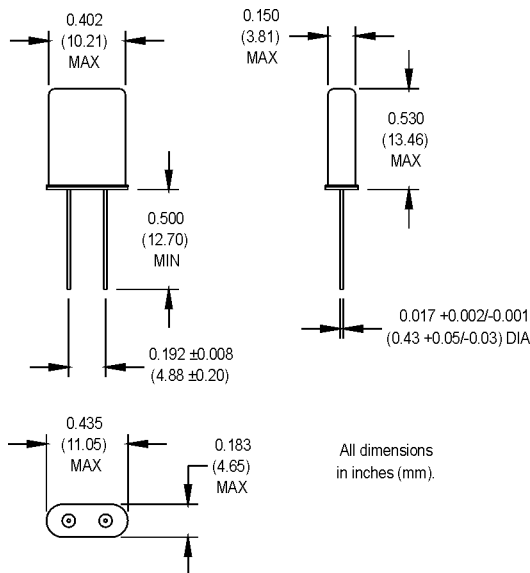
HC-48/U 00.0000 MHz (customer specified)



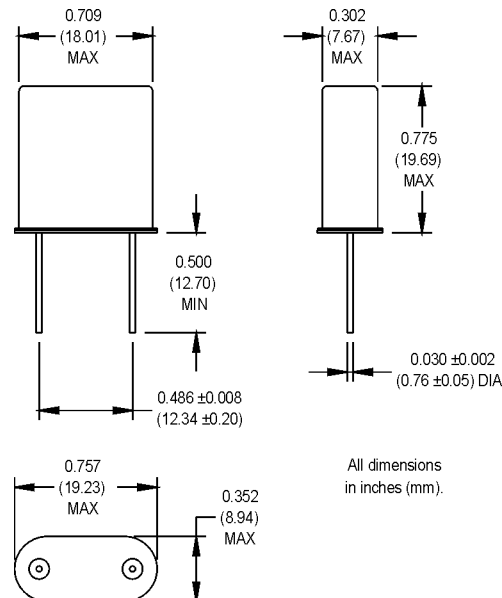
HC-50/U 00.0000 MHz (customer specified)



HC-49/U 00.0000 MHz (customer specified)



HC-51/U 00.0000 MHz (customer specified)



MtronPTI reserves the right to make changes to the product(s) and service(s) described herein without notice. No liability is assumed as a result of their use or application.

Please see www.mtronpti.com for our complete offering and detailed datasheets. Contact us for your application specific requirements: MtronPTI 1-800-762-8800.



MIL-PRF-3098 QPL Crystals

Electrical Specifications

CR Type	Slash Sheet	Frequency Range (MHz)	Frequency Tolerance (ppm)	Operating Temperature	Resistance Weld Holder	Load Cap. (pF)
CR-18/U	/3	1.000 to 20.000	50	-55°C to +105°C	HC-48/U	32.0
CR-19/U	/4	1.000 to 20.000	50	-55°C to +105°C	HC-48/U	series
CR-52/U	/30	10.000 to 61.000	50	-55°C to +105°C	HC-48/U	series
CR-55/U	/33	17.000 to 61.000	50	-55°C to +105°C	HC-49/U	series
CR-60/U	/38	5.000 to 20.000	50	-55°C to +105°C	HC-49/U	series
CR-64/U	/42	2.400 to 20.000	50	-55°C to +105°C	HC-49/U	30.0
CR-67/U	/45	17.000 to 61.000	25	-55°C to +105°C	HC-49/U	series
CR-76/U	/53	16.000 to 61.000	20	-40°C to +90°C	HC-49/U	series
CR-78/U	/62	2.200 to 20.000	50	-55°C to +105°C	HC-50/U	30.0
CR-79/U	/63	2.900 to 20.000	50	-55°C to +105°C	HC-50/U	series
CR-81/U	/58	17.000 to 61.000	50	-55°C to +105°C	HC-50/U	series
CR-97/U	/72	8.000 to 10.000	50	-40°C to +85°C	HC-49/U	32.0
CR-106/U	/82	10.500 to 11.500	50	-55°C to +105°C	HC-49/U	32.0
CR-117/U	/93	30.000 to 61.000	15	-40°C to +65°C	HC-50/U	series
CR-139/U	/118	20.000 to 22.000	50	-55°C to +105°C	HC-49/U	30.0
CR-157/U	/137	1.000 to 20.000	50	-55°C to +105°C	HC-51/U	series

Contact the factory for availability of specific frequencies below 2.000 MHz.

MtronPTI reserves the right to make changes to the product(s) and service(s) described herein without notice. No liability is assumed as a result of their use or application.

Please see www.mtronpti.com for our complete offering and detailed datasheets. Contact us for your application specific requirements: MtronPTI 1-800-762-8800.

Revision: 02-28-07