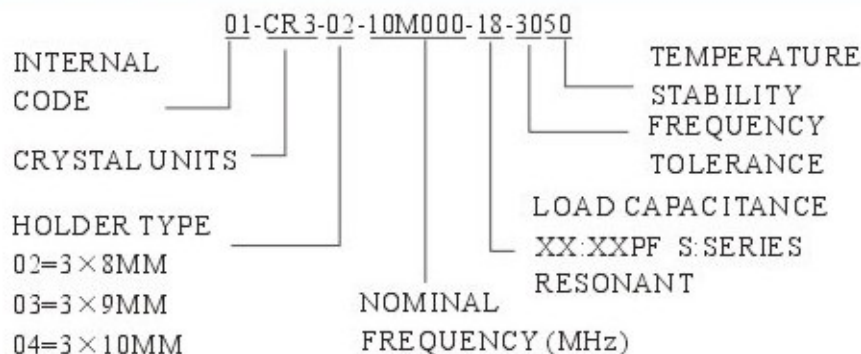


## MICRO MINIATURE "AT STRIP" CRYSTAL

### PART NUMBERING SYSTEM



### ELECTRICAL SPECIFICATIONS

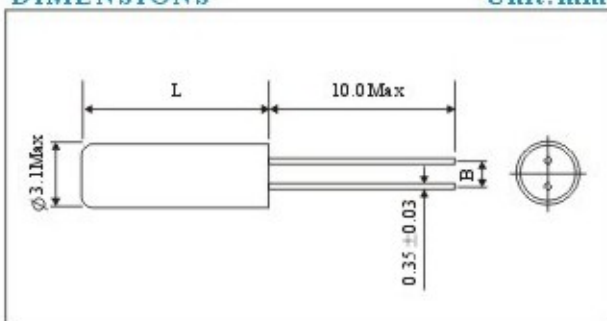
Frequency Range	(Fo)	3.500MHz to 66.000MHz		
Frequency Tolerance at 25°C	(Δf/fo)	±50ppm(typ)	±30ppm	±50ppm
Temperature Stability (REF TO 25°C)		±50ppm(typ)	±50ppm	±100ppm
Operating Temperature Range	(TOPR)	-10°C to 70°C		
Storage Temperature Range	(TSTG)	-40°C to 85°C		
Shunt Capacitance	(Co)	7pF Max		
Load Capacitance	(CL)	10 to 32pF or Series Resonant		
Insulation Resistance		500 Mega ohms Minimum at 100V DC		
Drive Level		1 m Watts Max		
Aging (at 25°C)		±5ppm/year Max		

### EQUIVALENT SERIES RESISTANCE (ESR) AND MODE OF OPERATION (MODE)

Frequency Range	Max ESR(Ω)	Mode	Frequency Range	Max ESR(Ω)	Mode
3.579MHz to 4.999MHz	200	Fundamental/AT	10.000MHz to 14.999MHz	60	Fundamental/AT
5.000MHz to 5.999MHz	150	Fundamental/AT	15.000MHz to 15.999MHz	50	Fundamental/AT
6.000MHz to 7.999MHz	120	Fundamental/AT	16.000MHz to 23.999MHz	35	Fundamental/AT
8.000MHz to 8.999MHz	90	Fundamental/AT	24.000MHz to 30.000MHz	30	Fundamental/AT
9.000MHz to 9.999MHz	80	Fundamental/AT	30.000MHz to 66.000MHz	100	3rd overtone/AT

### DIMENSIONS

Unit: mm



HOLD TYPE	L	B
A	10.3	1.1
B	9.3	1.1
C	8.3	1.1