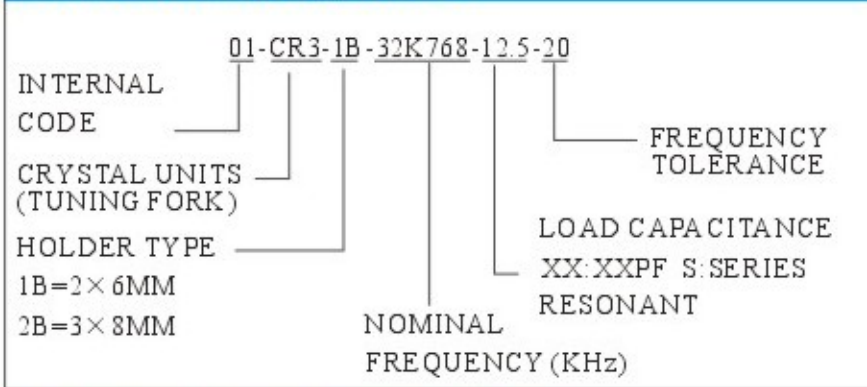


## TUNING FORK DT-26T AND DT-38T SERIES

### PART NUMBERING SYSTEM

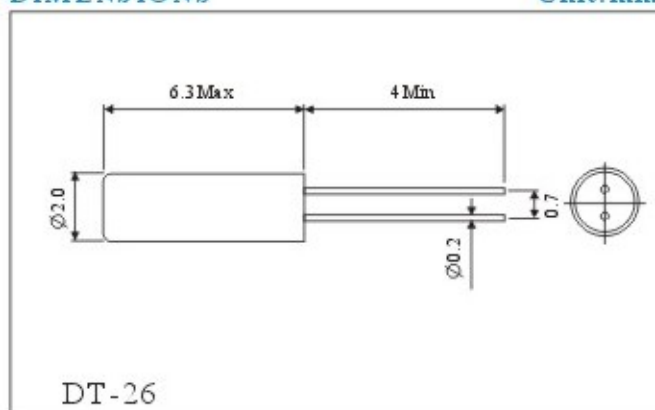


### ELECTRICAL SPECIFICATIONS

|                                     |                     |  |
|-------------------------------------|---------------------|--|
| Frequency Range                     | (Fo)                | 32.768KHz  |
| Frequency Tolerance (at 25°C)       | ( $\Delta f/fo$ )   | ±20ppm   |
| Temperature Stability (REF TO 25°C) |                     | -0.042ppm/( $\Delta T$ ) <sup>2</sup> max. parabolic<br>Turn Over Temperature at 25°C ±5°C |
| Operating Temperature Range         | (T <sub>OPR</sub> ) | -10°C to 60°C  |
| Storage Temperature Range           | (T <sub>STG</sub> ) | -20°C to 70°C  |
| Shunt Capacitance                   | (C <sub>0</sub> )   | 0.85pF (typ), 2pF Max  |
| Load Capacitance                    | (C <sub>L</sub> )   | 12.5pF (typ)   |
| Motional Capacitance                | (C <sub>1</sub> )   | 2.0pF typical  |
| Insulation Resistance               |                     | 500 Mega ohms Minimum at 100V <sub>DC</sub>  |
| Drive Level                         |                     | 1 $\mu$ Watts Max  |
| Aging (at 25°C)                     |                     | ±3ppm/year Max   |
| Equivalent series resistance (ESR)  | DT-38T SERIES       | 35K $\Omega$ Max   |
|                                     | DT-26T SERIES       | 50K $\Omega$ Max   |

### DIMENSIONS

Unit: mm



### DIMENSIONS

Unit: mm

