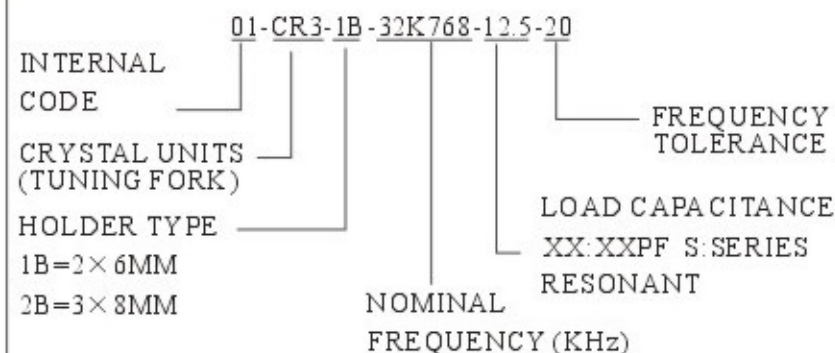


TUNING FORK DT-26T AND DT-38T SERIES

PART NUMBERING SYSTEM

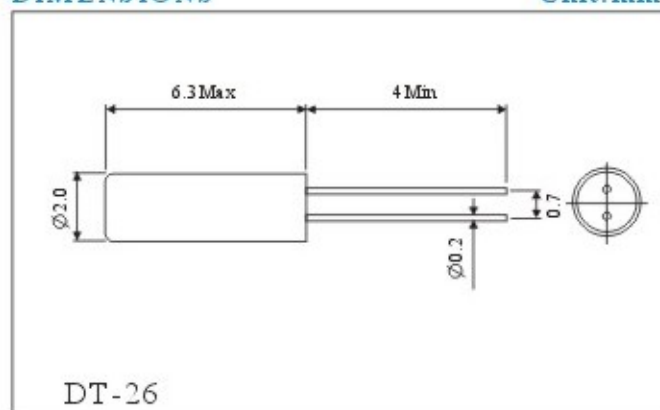


ELECTRICAL SPECIFICATIONS

Frequency Range	(Fo)	32.768KHz
Frequency Tolerance (at 25°C)	($\Delta f/fo$)	±20ppm
Temperature Stability (REF TO 25°C)		-0.042ppm/(ΔT) ² max. parabolic Turn Over Temperature at 25°C ±5°C
Operating Temperature Range	(T _{OPR})	-10°C to 60°C
Storage Temperature Range	(T _{STG})	-20°C to 70°C
Shunt Capacitance	(C ₀)	0.85pF (typ), 2pF Max
Load Capacitance	(C _L)	12.5pF (typ)
Motional Capacitance	(C ₁)	2.0pF typical
Insulation Resistance		500 Mega ohms Minimum at 100V _{DC}
Drive Level		1 μ Watts Max
Aging (at 25°C)		±3ppm/year Max
Equivalent series resistance (ESR)	DT-38T SERIES	35K Ω Max
	DT-26T SERIES	50K Ω Max

DIMENSIONS

Unit: mm



DIMENSIONS

Unit: mm

