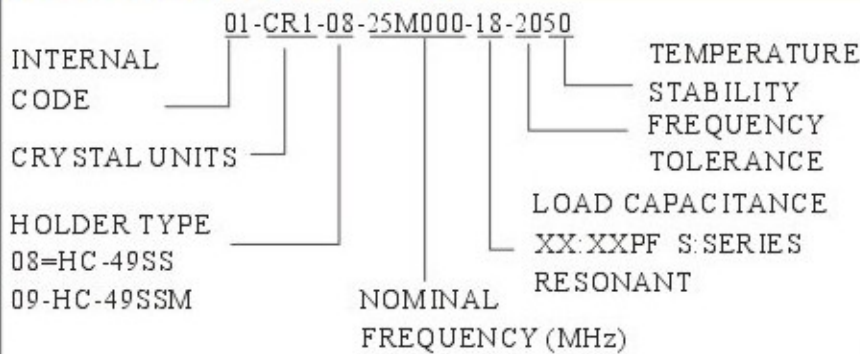


REDUCED HEIGHT HOLDER HC-49SS.HC-49SSM

PART NUMBERING SYSTEM



ELECTRICAL SPECIFICATIONS

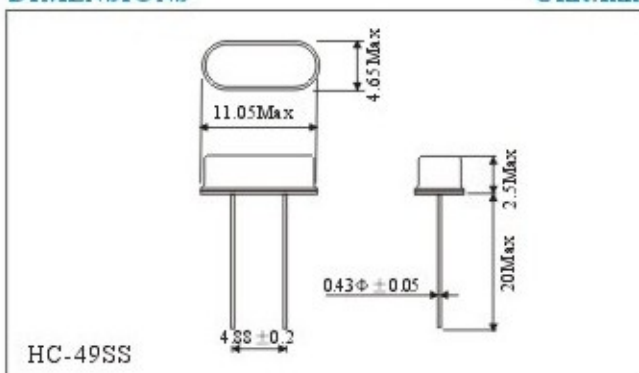
| | | | |
|--|---------------------------------|--------------|---------------|
| Frequency Range (Fo) | 6.000MHz to 66.000MHz | | |
| Frequency Tolerance (at 25°C) ($\Delta f/f_0$) | ± 50 ppm (typ) | ± 30 ppm | ± 50 ppm |
| Temperature Stability (REF To 25°C) | ± 50 ppm (typ) | ± 50 ppm | ± 100 ppm |
| Operating Temperature Range (TOPR) | -10°C to 70°C | | |
| Storage Temperature Range (TSTG) | -40°C to 85°C | | |
| Shunt Capacitance (Co) | 7pF Max | | |
| Load Capacitance (CL) | 10 to 32pF or Series Resonant | | |
| Insulation Resistance | 500 Mega ohms Minimum at 100VDC | | |
| Drive Level | 0.1MW | | |
| Aging (at 25°C) | 5ppm/year Max | | |

EQUIVALENT SERIES RESISTANCE (ESR) AND MODE OF OPERATION (MODE)

| Frequency Range | Max ESR(Ω) | Mode | Frequency Range | Max ESR(Ω) | Mode |
|----------------------|---------------------|----------------|------------------------|---------------------|-----------------|
| 3.579MHz to 3.999MHz | 120 | Fundamental/AT | 9.000MHz to 9.999MHz | 50 | Fundamental/AT |
| 4.000MHz to 4.999MHz | 100 | Fundamental/AT | 10.000MHz to 12.999MHz | 40 | Fundamental/AT |
| 5.000MHz to 5.999MHz | 100 | Fundamental/AT | 13.000MHz to 19.999MHz | 30 | Fundamental/AT |
| 6.000MHz to 7.999MHz | 70 | Fundamental/AT | 20.000MHz to 30.999MHz | 20 | Fundamental/AT |
| 8.000MHz to 8.999MHz | 60 | Fundamental/AT | 30.000MHz to 66.999MHz | 80 | 3rd overtone/AT |

DIMENSIONS

Unit:mm



DIMENSIONS

Unit:mm

