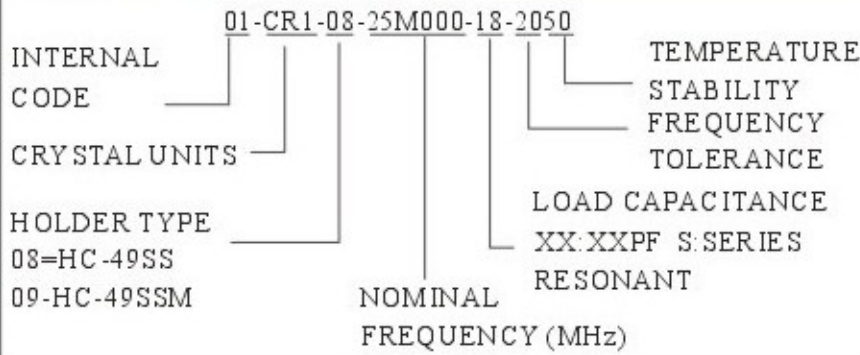


## REDUCED HEIGHT HOLDER HC-49SS.HC-49SSM

### PART NUMBERING SYSTEM



### ELECTRICAL SPECIFICATIONS

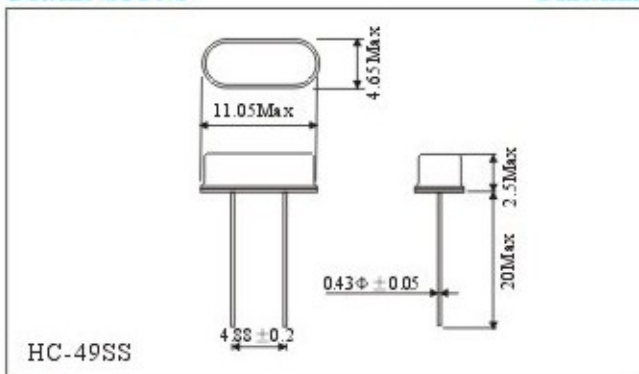
Frequency Range (Fo)	6.000MHz to 66.000MHz		
Frequency Tolerance (at 25°C) ( $\Delta f/f_0$ )	$\pm 50$ ppm (typ)	$\pm 30$ ppm	$\pm 50$ ppm
Temperature Stability (REF To 25°C)	$\pm 50$ ppm (typ)	$\pm 50$ ppm	$\pm 100$ ppm
Operating Temperature Range (TOPR)	-10°C to 70°C		
Storage Temperature Range (TSTG)	-40°C to 85°C		
Shunt Capacitance (Co)	7pF Max		
Load Capacitance (CL)	10 to 32pF or Series Resonant		
Insulation Resistance	500 Mega ohms Minimum at 100VDC		
Drive Level	0.1MW		
Aging (at 25°C)	5ppm/year Max		

### EQUIVALENT SERIES RESISTANCE (ESR) AND MODE OF OPERATION (MODE)

Frequency Range	Max ESR( $\Omega$ )	Mode	Frequency Range	Max ESR( $\Omega$ )	Mode
3.579MHz to 3.999MHz	120	Fundamental/AT	9.000MHz to 9.999MHz	50	Fundamental/AT
4.000MHz to 4.999MHz	100	Fundamental/AT	10.000MHz to 12.999MHz	40	Fundamental/AT
5.000MHz to 5.999MHz	100	Fundamental/AT	13.000MHz to 19.999MHz	30	Fundamental/AT
6.000MHz to 7.999MHz	70	Fundamental/AT	20.000MHz to 30.999MHz	20	Fundamental/AT
8.000MHz to 8.999MHz	60	Fundamental/AT	30.000MHz to 66.999MHz	80	3rd overtone/AT

#### DIMENSIONS

Unit:mm



#### DIMENSIONS

Unit:mm

