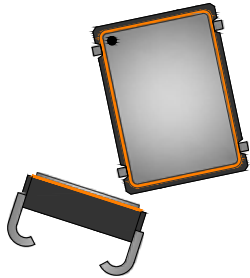


# JC7-Series Specifications

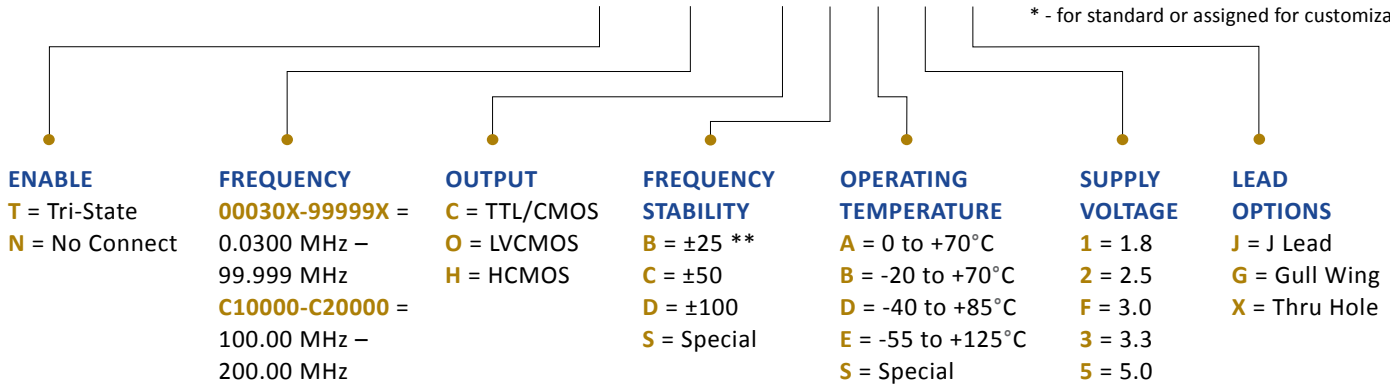


**7.00L x 5.00W x 1.60H (mm)**

Wi2Wi's *JC7-Series* provides precision timing in a J-Leaded hermetically sealed package, and is available in both standard and custom frequencies and configurations. Wi2Wi provides quick-turn sampling for your proto-typing needs, mass production capability, and competitive pricing.

ex) **JC7-T-25000X-C-C-D-3-J-X\***

\* - for standard or assigned for customization.



\*\* - Not available -55 to +125°C

Parameter		Supply Voltage *1 (±10%)					Units
		5.0	3.3	3.0	2.5	1.8	V
Frequency Range *1	Low	0.030000					MHz
	High	166.000	200.000				
Frequency Stability *1	All Causes (Maximum) *2	Per Option					ppm
Temperature Range *1	Operating	Per Option					°C
	Storage	- 55 to +125					°C
Supply Current (Maximum)	0.030000 to 23.999999 MHz	20	15	15	15	10	mA
	24.000000 to 49.999999 MHz	30	20	20	20	12	
	50.000000 to 69.999999 MHz	40	30	30	30	15	
	70.000000 to 200.000000 MHz	60	45	45	45	25	
Output Options		C & H		C & O			
Load		15pF/10 TTL gates					
Duty Cycle (at 50% Vcc)		40% to 60% (45% to 55% option)					
Rise/Fall Times (Maximum) (10% to 90% Vcc)	0.030000 to 23.999999 MHz	10	10	10	8	8	nS
	24.000000 to 49.999999 MHz	7	7	7	5	5	
	50.000000 to 69.999999 MHz	4	4	4	3	3	
	70.000000 to 200.000000 MHz	3	3	3	3	3	
Start up Time (Maximum)		10					mS
Output Voltage Levels	High (Minimum)	90					% Vcc
	Low (Maximum)	10					
Pin 1 (Tri-State) (Option)	High (See below) or Open	Enable					
	Low (See below) *3	Disable					
	High Value (Minimum)	80					% Vcc
	Low Value (Maximum) *3	20					% Vcc
	Disable Current (Maximum) *3	10					µA
	Enable Delay Time (Maximum)	10					mS
	Disable Delay Time (Maximum)	150					nS

\*1 - Not all Frequency/Temperature/Voltage combinations are available.

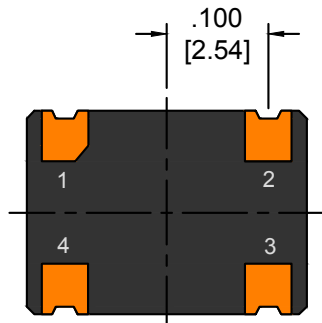
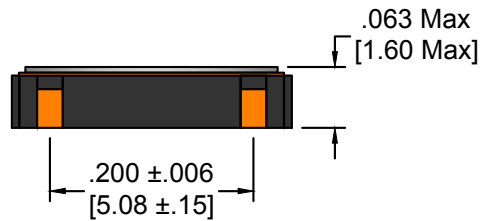
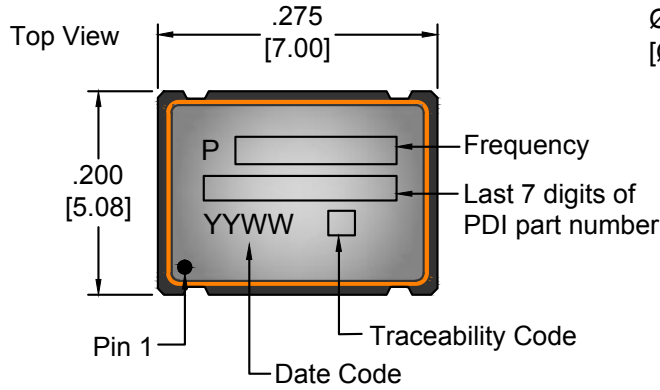
\*2 - Inclusive of Tolerance @25°C, Operating Temperature, Supply Voltage, Load, 1st Year Aging, Shock and Vibration.

\*3 - Internal crystal oscillation halted.

# JC7-Series 7.00 x 5.00 x 1.60 (mm)

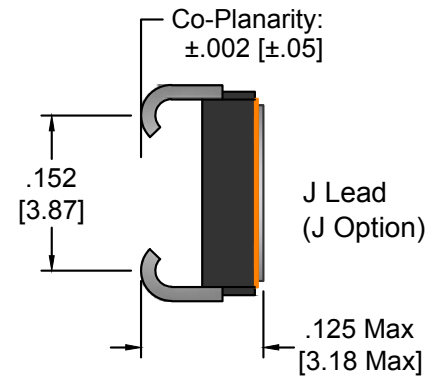
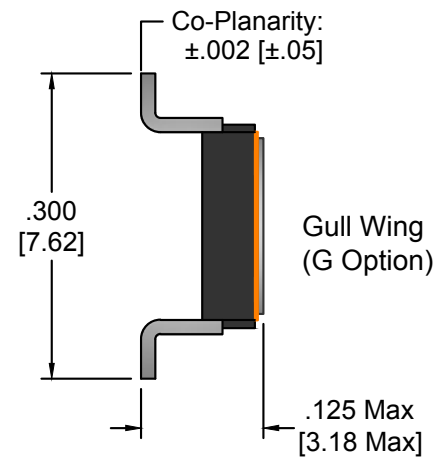
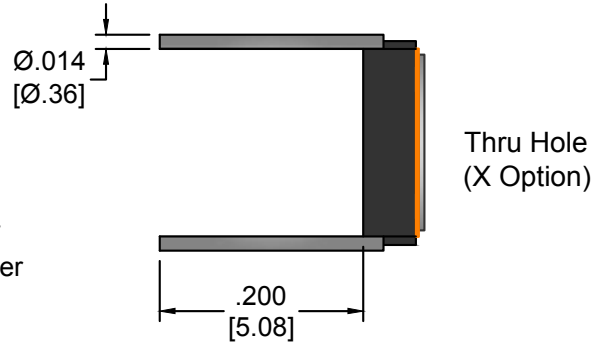
## PACKAGE DIMENSIONS

Tolerance:  $\pm 0.008$  [.20mm] (Unless otherwise specified)



PIN	CONNECTION
1	Tri-State or No Connect
2	Ground/Case
3	Output
4	Supply Voltage

## Lead Options



### NOTES:

Terminals are Au.  
 Other options are available, please consult factory.  
 All product is supplied RoHS and REACH compliant.  
 Product can be supplied on Tape and Reel, on reels of 1,000 units.  
 Specifications subject to change without notice, last updated 7/22/15.

# JC7-Series 7.00 x 5.00 x 1.60 (mm)

1. Material: Black Conductive Polystyrene or equivalent.
2. 10 Sprocket Hole pitch cumulative tolerance of  $\pm 0.008$ .
3. Camber in compliance with EIA 481.
4. Empty pockets: Trailing end (Minimum) 200 mm. and Leading end (Minimum) 400 mm.
5. Pocket position relative to sprocket hole measured as true position of pocket, not pocket hole.

Tape and Reel for **J-Lead** and **Gull Wing** only.

